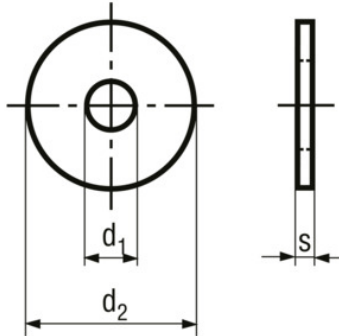


# Flat washers without chamfer, large series

BN 20732



Standard **ISO 7093-1**, ~DIN 9021, ~UNI 6593, ~ČSN 021726

Material **Stainless steel**

Material type **A2**

Hardness **200 HV**

Article no.	for thread	d1	d2	s
3670378	M3	3,2	9	0,8
3670379	M4	4,3	12	1
3670380	M5	5,3	15	1
3670381	M6	6,4	18	1,6
3670382	M8	8,4	24	2
3670383	M10	10,5	30	2,5
3670384	M12	13	37	3
3670385	M14	15	44	3
3670386	M16	17	50	3