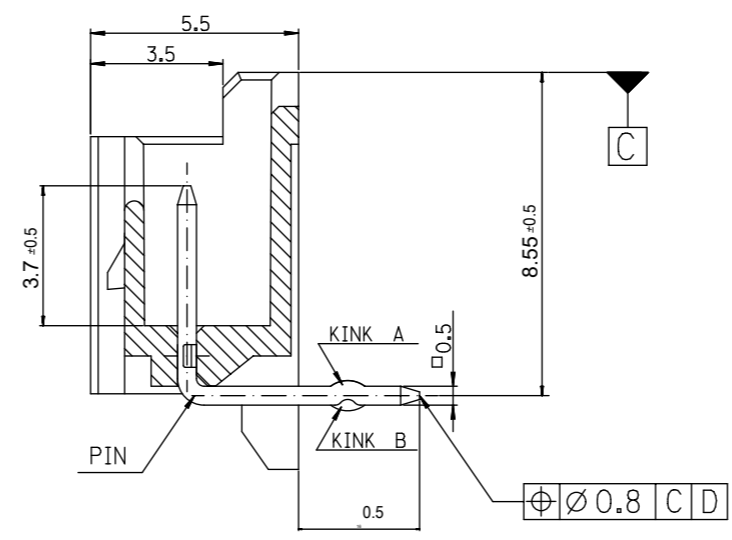
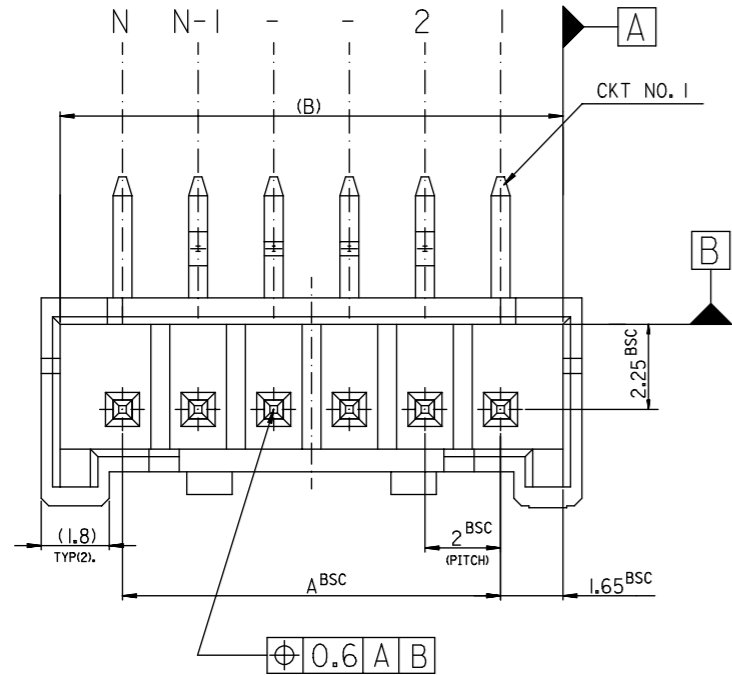
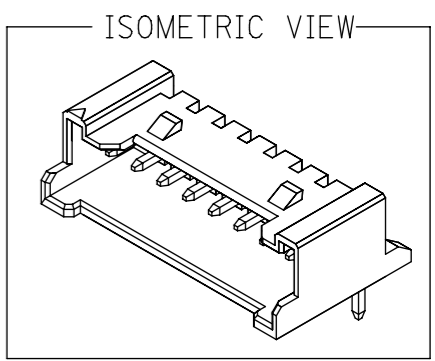


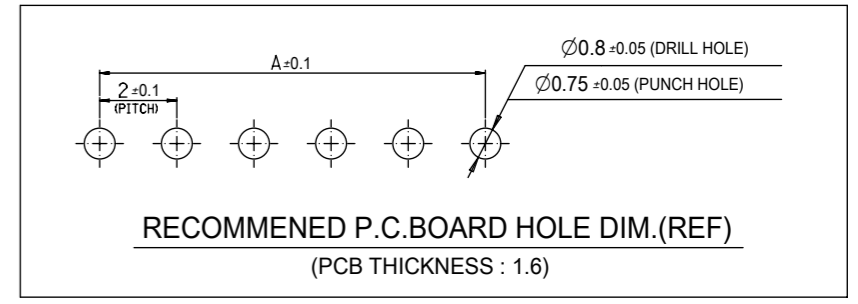
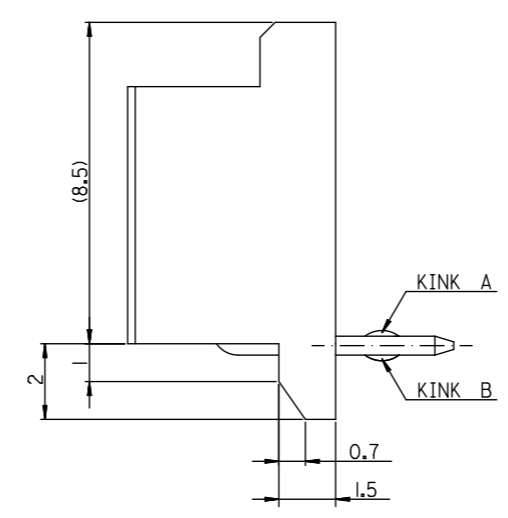
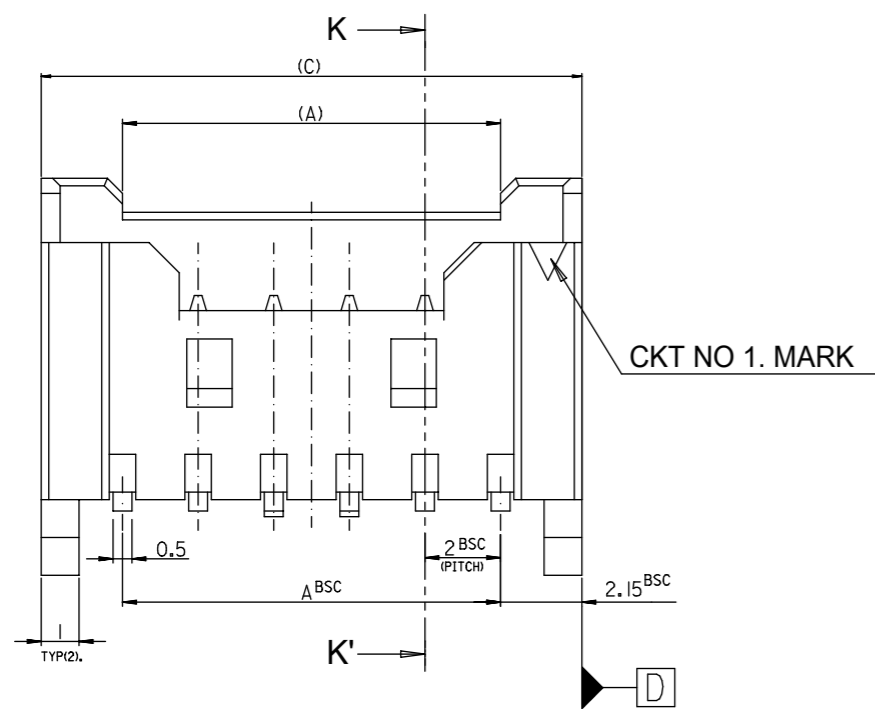
LEAD FREE



LEGEND

SD-35363-\*\* 6 \* COLOR

- 0 : NATURAL
- 1 : BLACK
- 2 : RED
- 3 : YELLOW
- 4 : BLUE
- 5 : GREEN

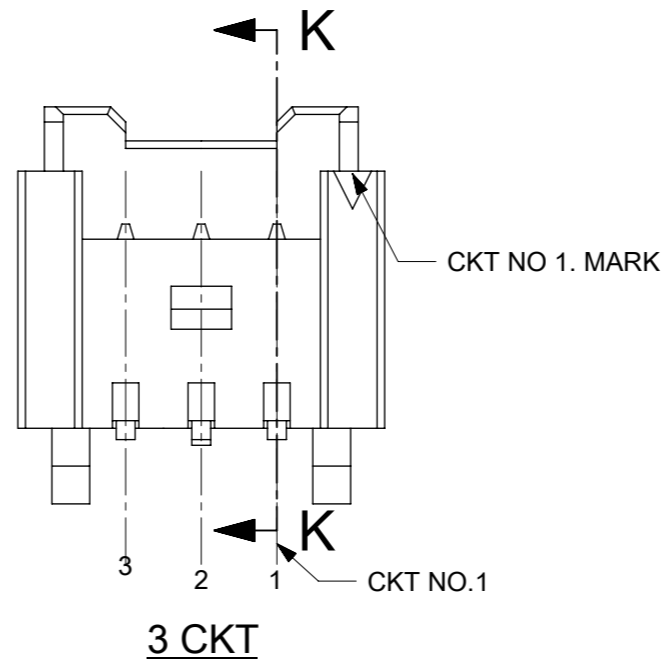
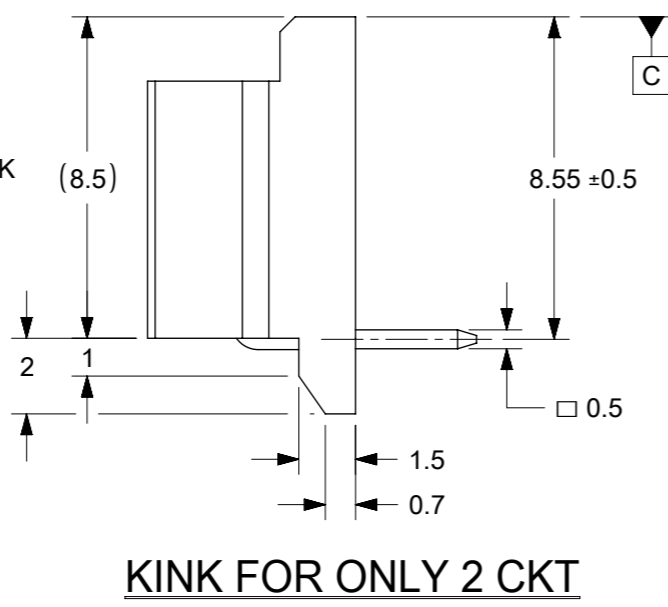
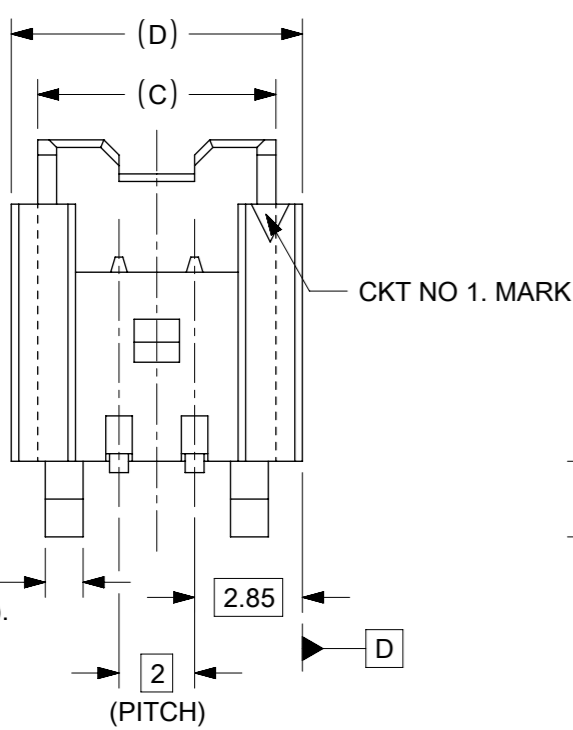
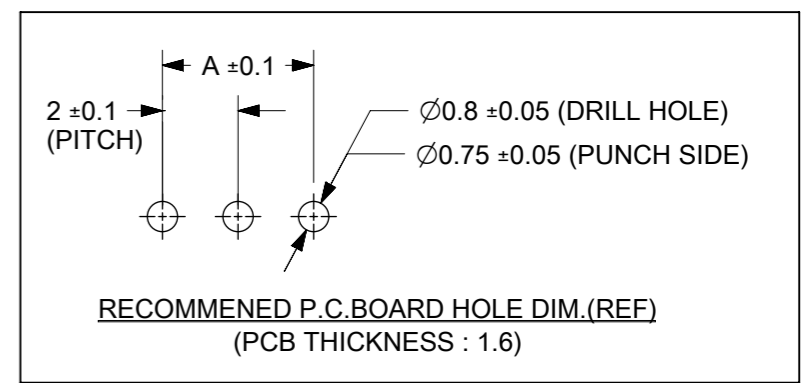
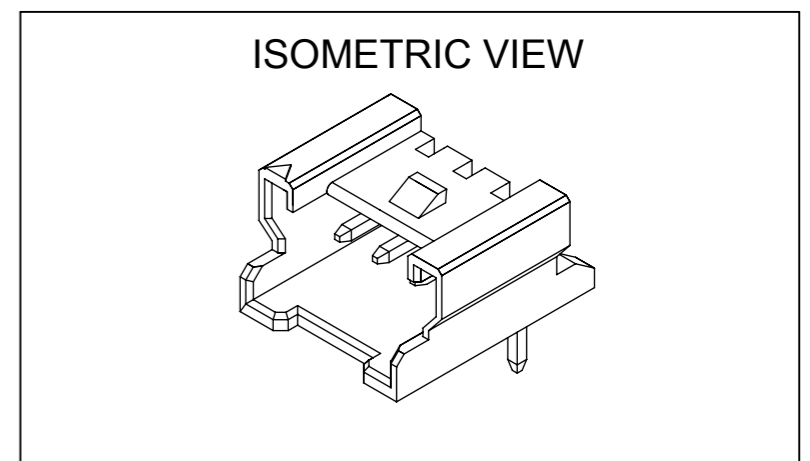
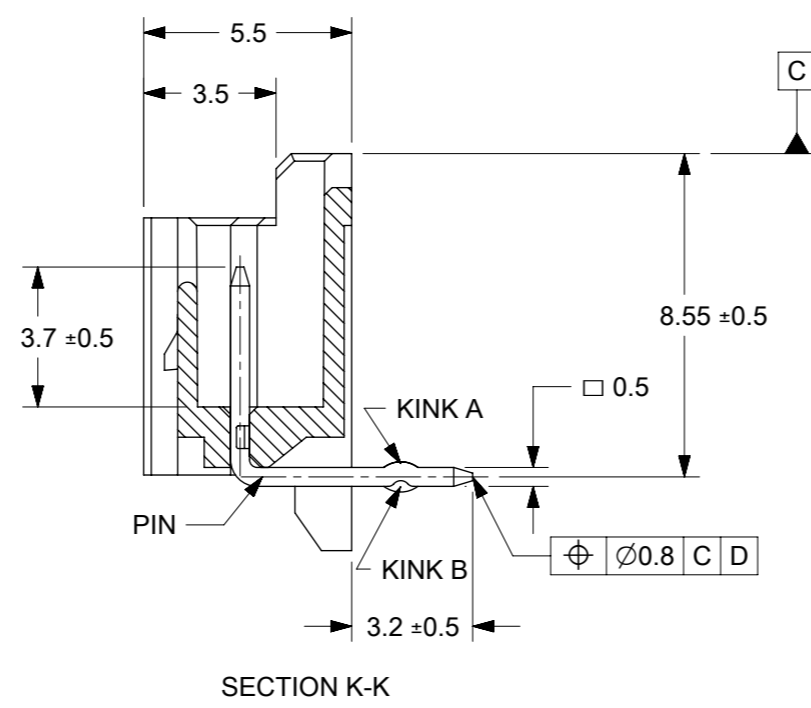
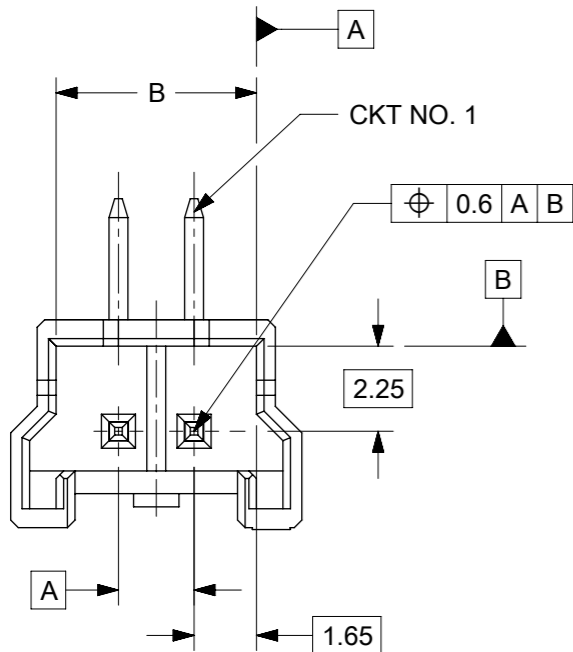


- NOTES
1. MATERIAL : WAFER - UNFILLED POLYAMIDE, UL94V-0  
PIN - BRASS
  2. FINISHES : PIN - Tin(Sn) 1.0~3.0µm OVERALL  
Cu 1.5~3.75µm OVERAL
  3. PRODUCT SPECIFICATION : PS-35507-003
  4. MATES WITH : HOUSING - 35507-\*\*0\*  
TERMINAL - 50212-8000
  5. KINK

CKT NO	1	2	3	4	5	N-2	N-1	N
6 CKT OVER	-	A	B	-	-	B	A	-
5 CKT	A	B	-	B	A			
4 CKT	A	B	B	A				

32.3	31.3	28	156*	- 156*	15
30.3	29.3	26	146*	- 146*	14
28.3	27.3	24	136*	- 136*	13
26.3	25.3	22	126*	- 126*	12
24.3	23.3	20	116*	- 116*	11
22.3	21.3	18	106*	- 106*	10
20.3	19.3	16	096*	-096*	9
18.3	17.3	14	086*	-086*	8
16.3	15.3	12	076*	-076*	7
14.3	13.3	10	066*	-066*	6
12.3	11.3	8	056*	-056*	5
10.3	9.3	6	35363046*	35363-046*	4
(C)	(B)	A	MATERIAL NO.	ENG. NO.	CKT

FUNCTIONAL SYMBOLS	THIS DRAWING CONTAINS INFORMATION THAT IS PROPRIETARY TO MOLEX ELECTRONIC TECHNOLOGIES, LLC AND SHOULD NOT BE USED WITHOUT WRITTEN PERMISSION	CURRENT REV DESC:																							
	<table border="1"> <tr> <th>FUNCTIONAL SYMBOLS</th> <th>DIMENSION UNITS</th> <th>SCALE</th> </tr> <tr> <td><math>\sqrt{A} = 0</math></td> <td>mm</td> <td>5:1</td> </tr> <tr> <td><math>\sqrt{E} = 0</math></td> <td colspan="2">GENERAL TOLERANCES (UNLESS SPECIFIED)</td> </tr> <tr> <td><math>\sqrt{F} = 0</math></td> <td colspan="2">ANGULAR TOL ± °</td> </tr> <tr> <td rowspan="5">DIVISIONAL SYMBOLS</td> <td>4 PLACES</td> <td>±</td> </tr> <tr> <td>3 PLACES</td> <td>±</td> </tr> <tr> <td>2 PLACES</td> <td>±</td> </tr> <tr> <td>1 PLACE</td> <td>±</td> </tr> <tr> <td>0 PLACES</td> <td>±</td> </tr> </table>	FUNCTIONAL SYMBOLS	DIMENSION UNITS		SCALE	$\sqrt{A} = 0$	mm	5:1	$\sqrt{E} = 0$	GENERAL TOLERANCES (UNLESS SPECIFIED)		$\sqrt{F} = 0$	ANGULAR TOL ± °		DIVISIONAL SYMBOLS	4 PLACES	±	3 PLACES	±	2 PLACES	±	1 PLACE	±	0 PLACES	±
FUNCTIONAL SYMBOLS	DIMENSION UNITS	SCALE																							
$\sqrt{A} = 0$	mm	5:1																							
$\sqrt{E} = 0$	GENERAL TOLERANCES (UNLESS SPECIFIED)																								
$\sqrt{F} = 0$	ANGULAR TOL ± °																								
DIVISIONAL SYMBOLS	4 PLACES	±																							
	3 PLACES	±																							
	2 PLACES	±																							
	1 PLACE	±																							
	0 PLACES	±																							
DRAFT WHERE APPLICABLE MUST REMAIN WITHIN DIMENSIONS THIRD ANGLE PROJECTION DRAWING SERIES MATERIAL NUMBER CUSTOMER SHEET NUMBER	A3-SIZE 35363 SEE TABLE GENERAL MARKET 1 OF 1	EC NO: 636378 DRWN: SCHONG03 CHK'D: JBJIN APPR: YSKIM02 2020/04/21 2020/04/23 2020/04/23 INITIAL REVISION: DRWN: DYJANG APPR: CHANGWOOLEE 2004/09/01 2004/09/02	DOCUMENT NUMBER SD-35363-002 DOC TYPE PSD DOC PART 001 REVISION D3																						



**LEGEND**

**SD-35363- \*\* 6 \***

CKT NO. \_\_\_\_\_

LEAD FREE \_\_\_\_\_

COLOR

- 0 : NATURAL
- 1 : BLACK
- 2 : RED
- 3 : YELLOW
- 4 : BLUE
- 5 : GREEN

- NOTES**
- MATERIAL : WAFER - UNFILLED POLYAMIDE, UL94V-0  
PIN - BRASS
  - FINISHES : PIN - Tin(Sn) 1.0~3.0µm OVERALL  
Cu 1.5~3.75µm OVERALL
  - PRODUCT SPECIFICATION : PS-35507-003
  - MATES WITH : HOUSING - 35507-\*\*0\*  
TERMINAL - 50212-8000
  - KINK

CKT NO / CKT	1	2	3
2 CKT	NONE KINK		
3 CKT	A	B	A

9.7	8.3	7.3	4	35363036*	35363-036*	3
7.7	6.3	5.3	2	35363026*	35363-026*	2
(D)	(C)	(B)	A	MATERIAL NO.	ENG. NO.	CKT

THIS DRAWING CONTAINS INFORMATION THAT IS PROPRIETARY TO MOLEX ELECTRONIC TECHNOLOGIES, LLC AND SHOULD NOT BE USED WITHOUT WRITTEN PERMISSION

30 over	±0.3	DIMENSION UNITS: mm SCALE: 5:1 GENERAL TOLERANCES (UNLESS SPECIFIED) ANGULAR TOL ± ° 4 PLACES ± 3 PLACES ± 2 PLACES ± 1 PLACE ± 0 PLACES ± DRAFT WHERE APPLICABLE MUST REMAIN WITHIN DIMENSIONS	EC NO: 663425 DRWN: KSUTAR CHK'D: SCHONG03 APPR: JBJIN 2021/04/29 2021/05/11 2021/05/12 INITIAL REVISION: DRWN: DYJANG APPR: CHANGWOOLEE 2004/09/01 2004/09/02	CURRENT REV DESC: REVISED PLATING THICKNESS UNITS EC NO: 663425 DRWN: KSUTAR CHK'D: SCHONG03 APPR: JBJIN 2021/04/29 2021/05/11 2021/05/12 INITIAL REVISION: DRWN: DYJANG APPR: CHANGWOOLEE 2004/09/01 2004/09/02	<b>molex</b> 2.0 W/B WAFER R/A ASS'Y - LEAD FREE- PRODUCT CUSTOMER DRAWING	DOCUMENT NUMBER: SD-35363-002 DOC TYPE: PSD DOC PART: 002 REVISION: D3
10 over 30 under	±0.25					
10 under	±0.2					
ANGLE	±3°					
GENERAL TOLERANCE						

THIRD ANGLE PROJECTION	DRAWING: A3-SIZE	SERIES: 35363	MATERIAL NUMBER: SEE TABLE	CUSTOMER: GENERAL MARKET	SHEET NUMBER: 1 OF 1
------------------------	------------------	---------------	----------------------------	--------------------------	----------------------

