

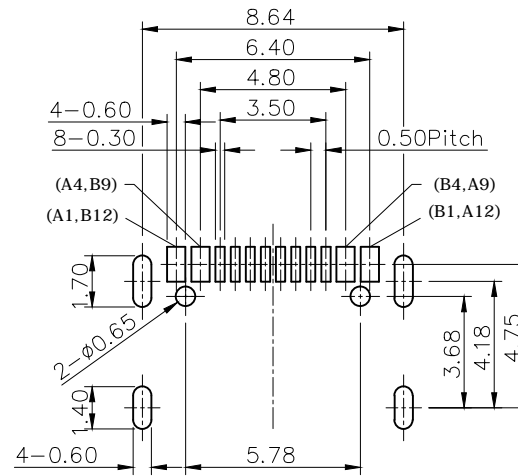
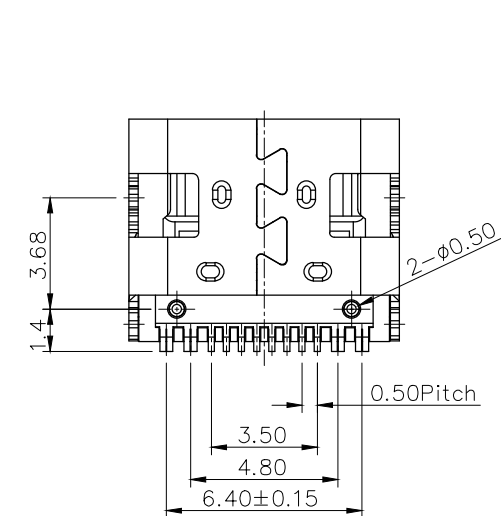
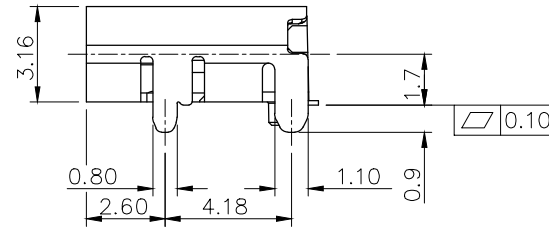
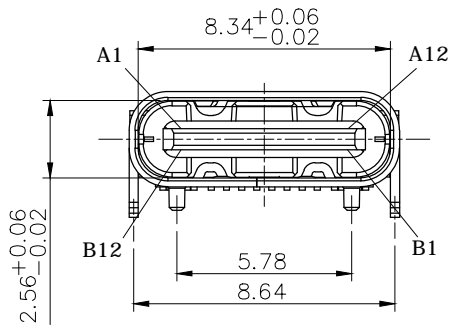
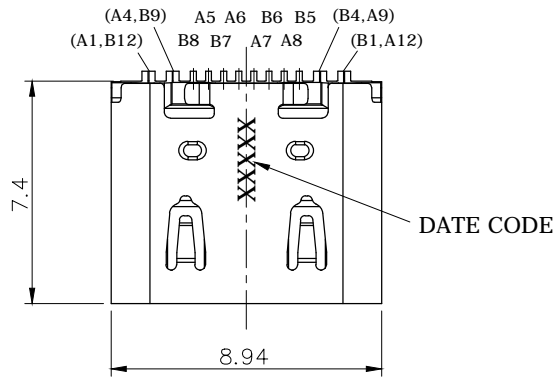
REV.	DESCRIPTION	DRAWN	DATE
1	INITIAL RELEASE	TIM	2023/12/25

PIN ASSIGNMENTS:

PIN	SIGNAL	PIN	SIGNAL
A1	GND	B12	GND
A2		B11	
A3		B10	
A4	VBUS	B9	VBUS
A5	CC1	B8	SBU2
A6	Dp1	B7	Dn2
A7	Dn1	B6	Dp2
A8	SBU1	B5	CC2
A9	VBUS	B4	VBUS
A10		B3	
A11		B2	
A12	GND	B1	GND

SPECIFICATION:

1. ELECTRICAL
 - 1.1 Current Rating: 5A
 - 1.2 Voltage Rating: 20V AC
 - 1.3 Contact Resistance: 40mΩ
 - 1.4 Insulation Resistance: 100MΩ
 - 1.5 Dielectric Withstanding Voltage: 100VAC
2. MECHANICAL
 - 2.1 Durability: 10,000 cycles
 - 2.2 Insertion Force: 5 to 20N
 - 2.3 Extraction Force: 8 to 20N
3. ENVIRONMENTAL
 - 3.1 Operating temperature range: -40°C~+85°C



RECOMMENDED LAYOUT (TOP VIEW)
GENERAL TOLERANCE: ±0.05mm

3	SHELL	Stainless Steel, Nickel Plating	
2	CONTACT	Copper Alloy, Gold plating on contact area	
		Tin plating on solder tail, under plated Nickel	
1	HOUSING	Thermoplastic, UL94V-0, Black	
NO. PART NAME		DESCRIPTION	
UNLESS OTHERWISE SPECIFIED TOLERANCE			
UNIT:	DECIMAL	LINEAR	ANGLES
	X.	±0.50	±5°
	X.X	±0.25	±3°
	X.XX	±0.12	±1°
mm		WWW.ATTEND.COM.TW	
DRAWN	Tim	2023/12/25	DRAWN NAME:
CHECKED	Fros	2023/12/25	USB Type C Receptacle, 16 Pin Single Row SMD Type, G/F, Reel
APPROVED	Ken	2023/12/25	PRODUCT NO. 217B-CA05
SCALE	4/1	SHEET	1/2
		SIZE	A4
FILE NAME		217B-CA05_B_1	

