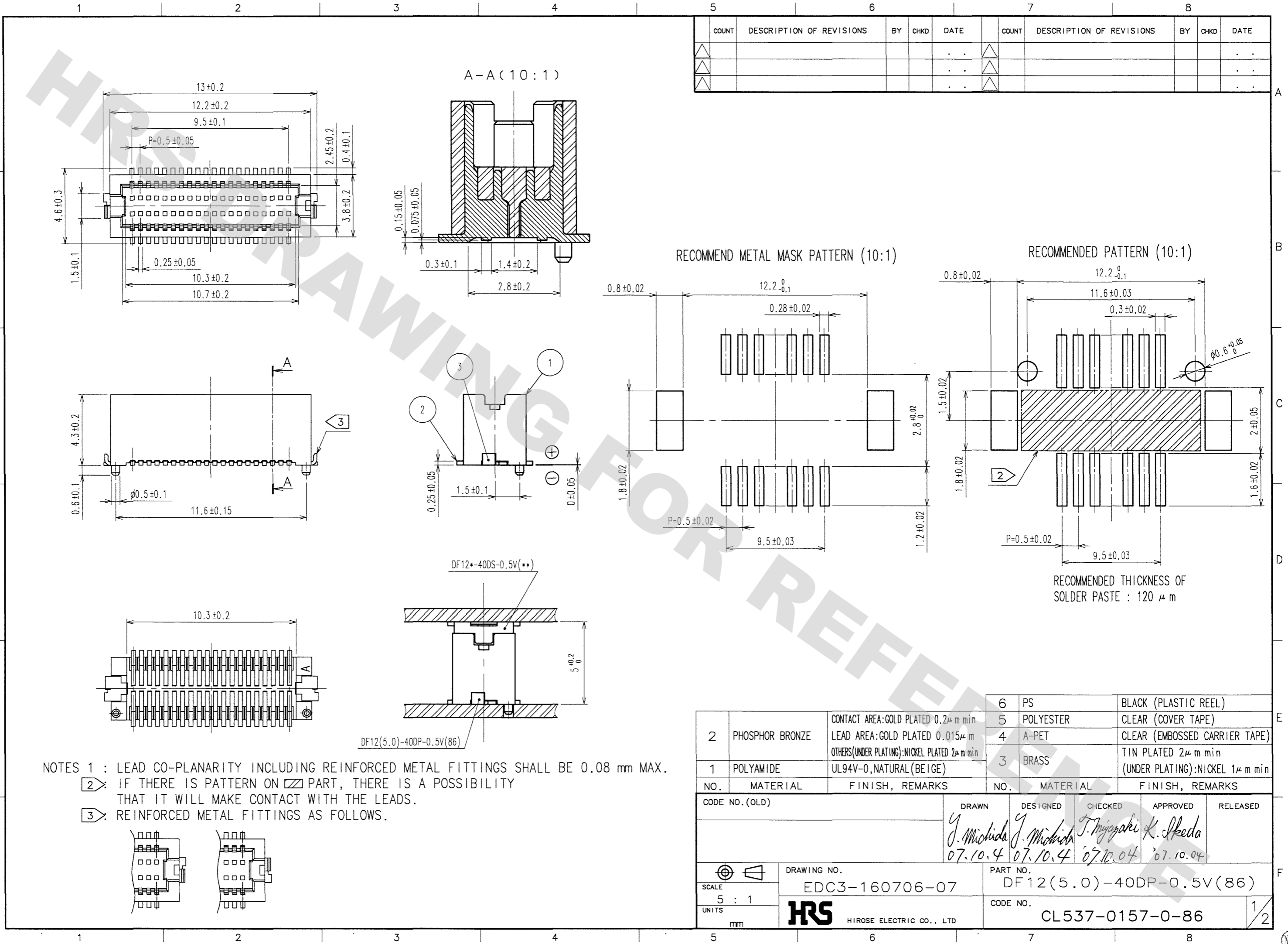
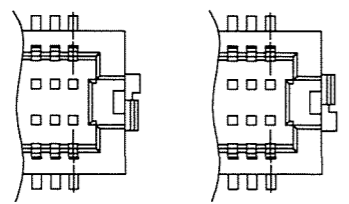


DRAWING FOR REFERENCE: This is subject to change without notice  
08/11/2012



COUNT	DESCRIPTION OF REVISIONS	BY	CHKD	DATE	COUNT	DESCRIPTION OF REVISIONS	BY	CHKD	DATE
△				..	△				..
△				..	△				..
△				..	△				..

NOTES 1 : LEAD CO-PLANARITY INCLUDING REINFORCED METAL FITTINGS SHALL BE 0.08 mm MAX.  
 ② : IF THERE IS PATTERN ON PART, THERE IS A POSSIBILITY THAT IT WILL MAKE CONTACT WITH THE LEADS.  
 ③ : REINFORCED METAL FITTINGS AS FOLLOWS.



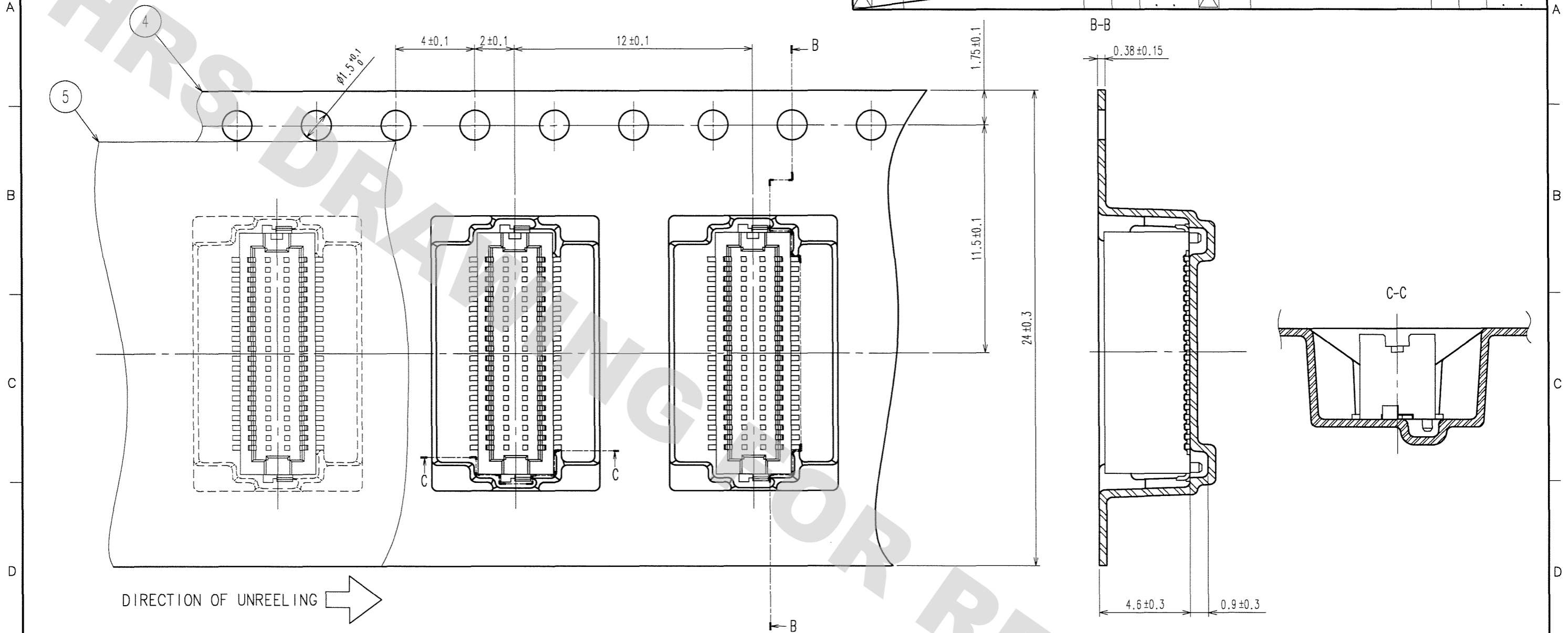
2	PHOSPHOR BRONZE	CONTACT AREA: GOLD PLATED 0.2μm min LEAD AREA: GOLD PLATED 0.015μm OTHERS (UNDER PLATING): NICKEL PLATED 2μm min	6	PS	BLACK (PLASTIC REEL)
1	POLYAMIDE	UL94V-0, NATURAL (BEIGE)	5	POLYESTER	CLEAR (COVER TAPE)
			4	A-PET	CLEAR (EMBOSSED CARRIER TAPE)
			3	BRASS	TIN PLATED 2μm min (UNDER PLATING): NICKEL 1μm min

NO.	MATERIAL	FINISH, REMARKS	NO.	MATERIAL	FINISH, REMARKS
CODE NO. (OLD)			DRAWN	DESIGNED	CHECKED
			<i>J. Michida</i>	<i>J. Michida</i>	<i>T. Miyazaki</i>
			07.10.4	07.10.4	07.10.04
DRAWING NO.		EDC3-160706-07	PART NO.		
SCALE		5 : 1	DF12(5.0)-40DP-0.5V(86)		
UNITS		mm	CODE NO.		CL537-0157-0-86
					1/2

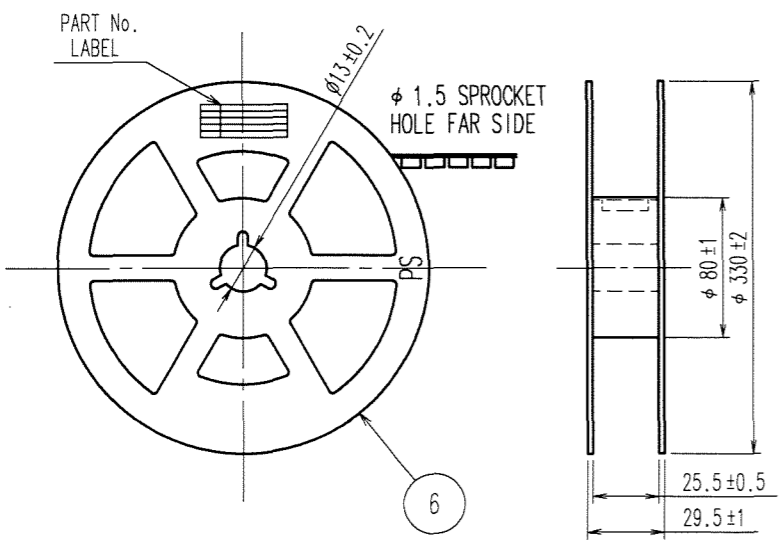
TO

DRAWING FOR REFERENCE: This is subject to change without notice  
08/11/2012

COUNT	DESCRIPTION OF REVISIONS	BY	CHKD	DATE	COUNT	DESCRIPTION OF REVISIONS	BY	CHKD	DATE
△					△				
△					△				
△					△				



STYLE AND DIMENSION OF REEL



DETAIL OF PART NO. LABEL

SUPPLIER  
QUANTITY  
PART NO.  
CODE NO.  
DATE OF MANUFACTURED

生産月日	年 月 日
図番	CL537-0157-0-86
品名	DF12(5.0)-40DP-0.5V(86)
納入数量	1000Ko
納入者	ヒロセ電機(株)

- NOTES
- 1 REEL:1000 CONNECTORS.
  - AT THE BEGINNING OF THE REEL, 30 COMPONENTS SHALL BE EMPTY. AT THE END OF THE REEL, 20 COMPONENTS SHALL BE EMPTY.
  - PEEL FORCE REFERS TO JIS C 0806.
  - THE PEEL IS PACKED WITH A POLYETHYLENE MATERIAL, TOGETHER WITH A DRYING AGENT.

CODE NO. (OLD)	DRAWN	DESIGNED	CHECKED	APPROVED	RELEASED
	<i>J. Michida</i> 07.10.4	<i>J. Michida</i> 07.10.4	<i>T. Miyazaki</i> 07.10.04	<i>K. Ikeda</i> 07.10.04	
DRAWING NO. EDC3-160706-07	PART NO. DF12(5.0)-40DP-0.5V(86)				
SCALE 5 : 1	CODE NO. CL537-0157-0-86				2/2
UNITS mm	HRS HIROSE ELECTRIC CO., LTD				

TO