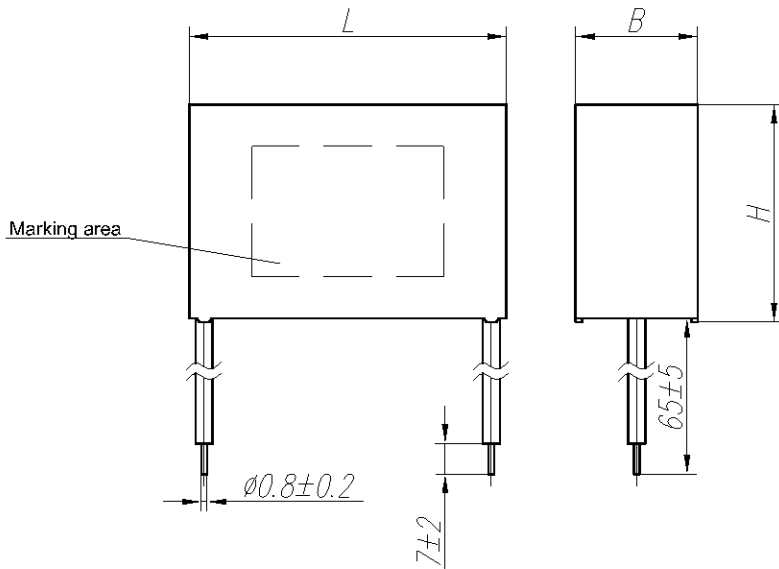


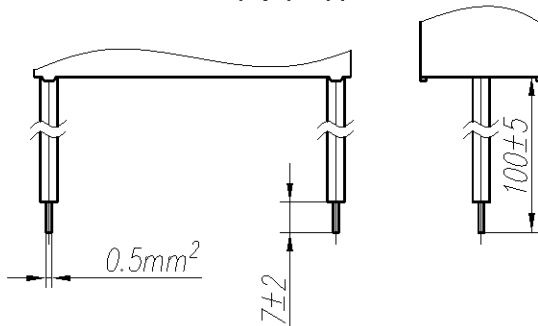
MKSP-8

AC METALLIZED POLYPROPYLENE FILM CAPACITORS FOR MOTOR APPLICATIONS

Version 02



Version 03

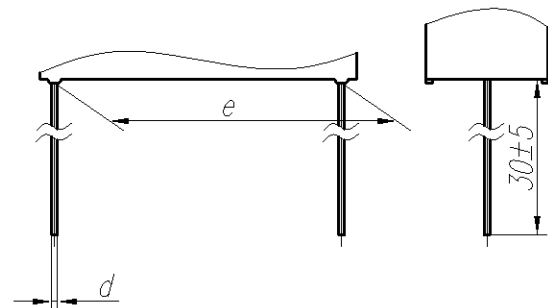


Capacitor dimensions

Rated Capacitance μF	Dimensions				
	$B \pm 1$ mm	$H \pm 1$ mm	$L \pm 1$ mm	$d \pm 0.2$	$e \pm 0.5$
				ver. 04 mm	
0.5	11.5	20.5	31.5	0.8	27.5
0.68					
1	15	24.5	41.4		
1.5	16	28.5			
2					
2.5	17.9	33			
3					
3.5	21	38	42.1	1	38
4					
4.5					
5	21	38	42.1	1	38
5.5					
6					

Other lengths of leads as well as other dimensions of capacitors and other capacitances from the given range are available at the customer's request.

Version 04



TECHNICAL DATA:

- Capacitance tolerance: $\pm 5\%$; $\pm 10\%$,
 - Rated voltage U_R : 400V / 450V / 50Hz,
 - Climatic category: 25/85/21 / 400V~ acc. to PN-EN 60068-1, 25/70/21 / 450V~ acc. to PN-EN 60068-1,
 - Tangent of the loss angle at 1V / 1kHz: $\leq 0,001$
 - Rated temperature: +85°C / 400V~, +70°C / 450V~,
 - Dielectric strength between terminals: $2 U_R - 60s$,
 - Case: plastic,
 - Terminals: version 02 - Cu wire, tinned in PCV insulation
version 03 - Cu stranded wire in PVC insulation, with tinned tip
version 04 - Cu wire, tinned
 - Application class: - C (3000h) 400V~,
D (1000h) 450V~,
 - Safety class: - P0,
 - The capacitors meet the requirements of: - PN-EN 60252-1.
- This product fulfils the requirements of the RoHS Directive (2002/95/EC).