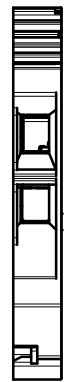
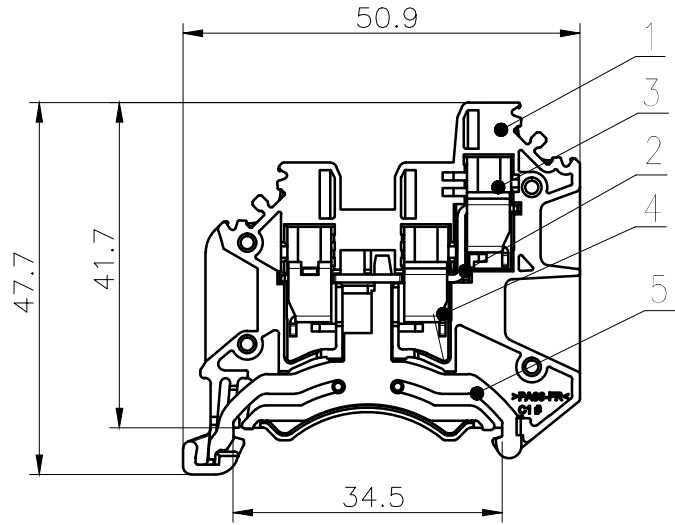
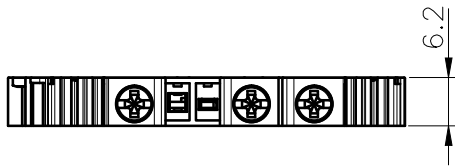
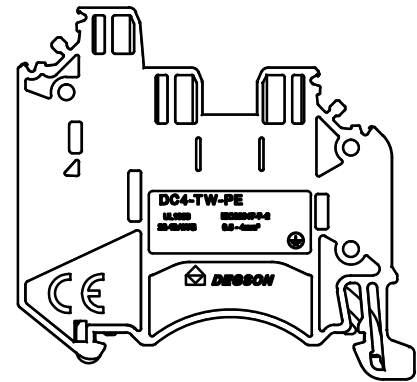


Inventor or copyright owner's consent is required as the utilization or reproduction of this document as well as the disclosure of its contents are prohibited unless authorized in writing by Degson. All rights reserved by Degson. All other rights reserved. 未经 Degson 许可, 不得复制或传播本文件内容, 否则将追究法律责任。本公司保留对涉及发明、实用新型和外观设计的所有权利。



未注公差/General tolerances(mm)													
0	>3	>6	>10	>18	>30	>50	>80	>120	>180	>250	>315	>400	>500
±0.08	±0.12	±0.18	±0.22	±0.28	±0.31	±0.37	±0.50	±0.63	±0.80	±1.00	±1.25	±1.60	±2.00

UL 标准/UL Standard:	B	C	D
额定电压/电压/Rated Voltage (V)/Current(A)	/	/	/
IEC 标准/IEC Standard:			
过压类别/Overvoltage Category /污染等级/Pollution Degree	III/3	III/2	II/2
额定电压/电压/Rated Voltage (V)/Current(A)	/	/	/
额定脉冲电压(KV)/Rate Impulse Voltage(KV)	6		
螺丝扭矩/Torque Tightening(N·m/Lb.in)	M3, 0.66/6.0		
线径范围(硬线和软线)/Wire Range(rigid and flexible)(AWG)	22~10 / 0.5~4		
间距/Pitch (mm)/线数范围/Poles	6.1/01P		
剥线长度/Stripping length(mm)	8~9		
使用温度范围/Operating temperature(°C)	-40~+105		
符合RoHS环保要求/Conform to RoHS	Yes		



5	Grounding body	Copper alloy	Sn Plated
4	Cage	Steel	Zn Plated
3	Screw	Steel	M3/Zn Plated
2	Current carrier	Copper	Sn Plated
1	Housing	PA66	UL94V-0
ITEM	NAME OF PART	MATERIAL	NOTES

		MATERIAL:		SURFACE:	
A*P.D: Li GL		2022.09.20		MAT NO./REV: /	
C*H.D: Ma EK		2022.09.20		MAT STA*JS:	
D*E.F.T: Li HL		2022.09.20		DRAWING NO. TYPE	
④ A4		DC4-TW-PE-01P-1C-00A(H)		DRAWING STATUS SCALE SHEET	
				1:1 1/1	

REV	ECN	DESCRIPTION	DRFT	DATE