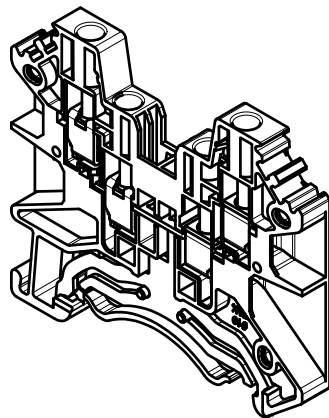
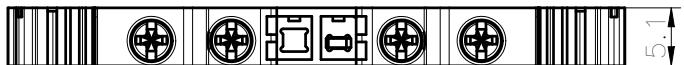


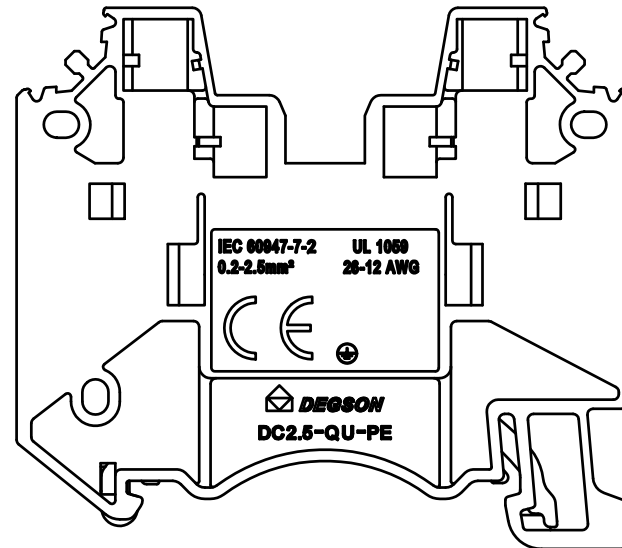
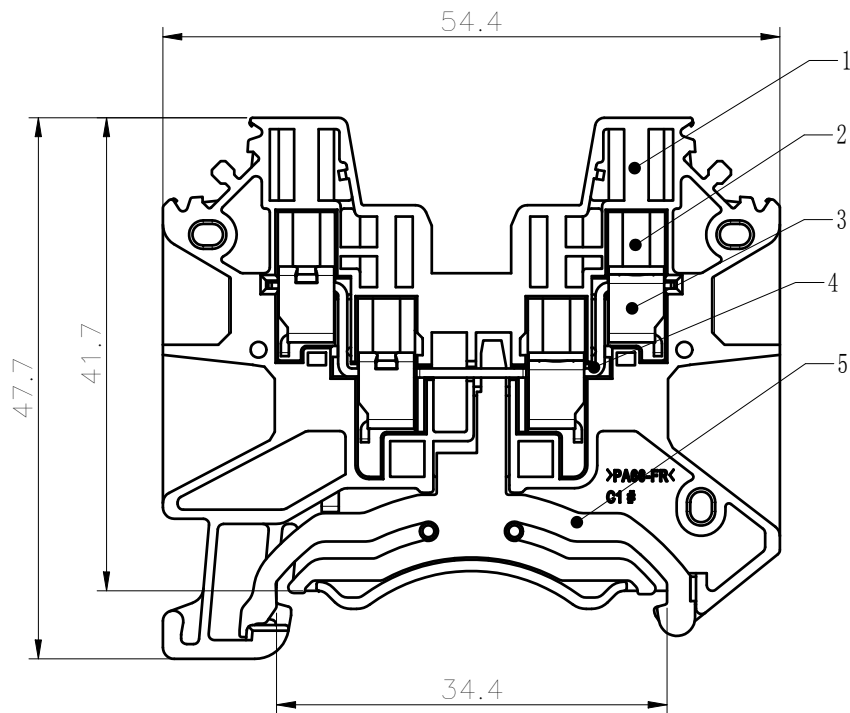
Transfer or duplication of this document as well as the utilization or communication of its contents for purposes other than those intended by DEGSON is prohibited. All rights reserved for patent, utility model or design registrations. 非经书面明确授权, 否则禁止转让、复制、利用、交加本文件的内容, 一经发现将依法追究, 本公司保留对涉及发明、实用新型和外观设计的所有权利。



未注公差/General tolerances(mm)											D 0.1/10		
0 ~ 3	>3 ~ 6	>6 ~ 10	>10 ~ 18	>18 ~ 30	>30 ~ 50	>50 ~ 80	>80 ~ 120	>120 ~ 180	>180 ~ 250	>250 ~ 315		>315 ~ 400	>400 ~ 500
±0.12	±0.18	±0.22	±0.26	±0.31	±0.37	±0.57	±0.80	±0.93	±1.05	±1.15	±1.60	±2.20	±2.50

UL 标准/UL Standard:	B	C	D
额定电压/电流/Rated Voltage(V)/Current(A)	/	/	/
IEC 标准/IEC Standard:			
过压类别/Overtoltage Category/污染等级/Pollution Degree	III/3	III/2	II/2
额定电压/电流/Rated Voltage(V)/Current(A)	/	/	/
额定脉冲电压(KV)/Rate Impulse Voltage(KV)	6	/	/
螺丝扭矩/Torque Tightening(N·m/Lb.in)	M2.5: 0.4/3.54		
线径范围(硬线和软线)/Wire Range(rigid and flexible)(AWG/mm ²)	26~12 / 0.2~2.5, 4 (sol)		
间距/Pitch(mm)/线数范围/Poles	5.1/N=01P		
剥线长度/Stripping length(mm)	9~10		
使用温度范围/Operating temperature(°C)	-40~+105		
符合 RoHS 环保要求/Conform to RoHS	Yes		
标准颜色编号/Standard color number: PANTONE / RAL	/ /		

5	Grounding	Copper alloy	Sn Plated
4	Current carrier	Copper	Sn Plated
3	Cage	Steel	M2.5/Zn Plated
2	Screw	Steel	M2.5/Zn Plated
1	Housing	PA66	UL94V-0
ITEM	NAME OF PART	MATERIAL	NOTES



			MATERIAL: /	SURFACE/COLOR: /
			MAT NO./REV: /	MAT STATUS: /
APPD: PengM	2022.08.17	NAME	DC2.5-QU-PE-01P-1C-00A(H)	
CHKD: GaoWG	2022.08.17	DRAWING NO.	TYPE	DRAWING STATUS
DRFT: XieXD	2022.08.17	/	CUSTOMER DRAWING	/
REV	ECN	DESCRIPTION	SCALE	SHEET
00	/	/	2:1	1/1

00	/	/	XieXD	2022.08.17
REV	ECN	DESCRIPTION	DRFT	DATE

