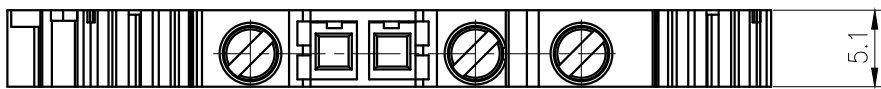
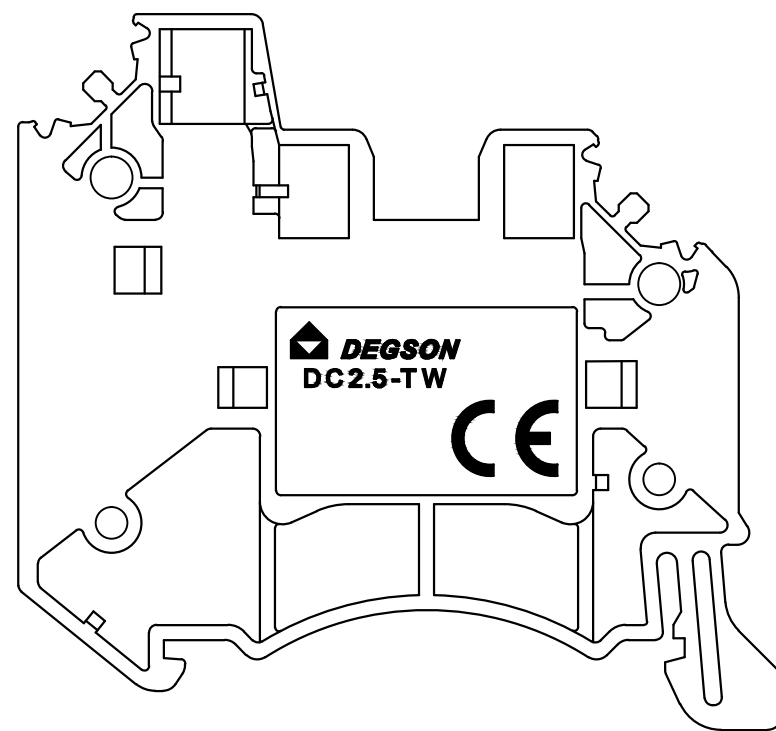
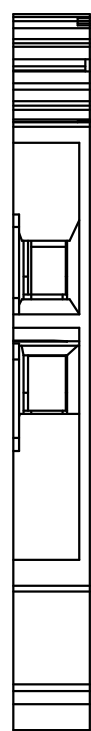
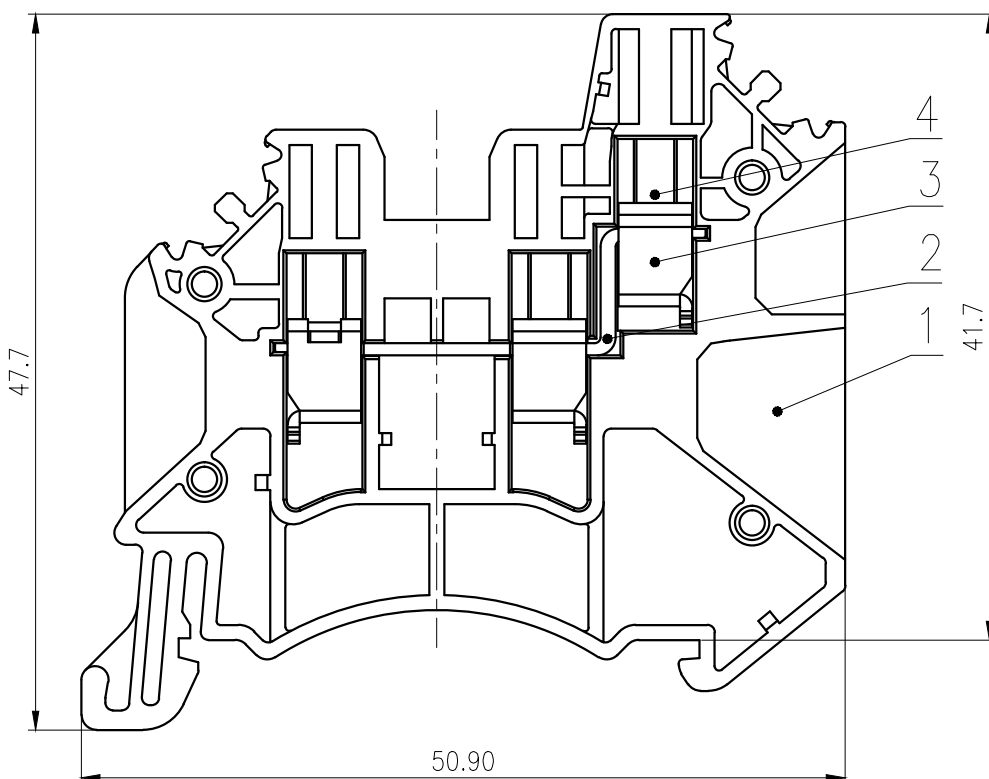


未注公差/General tolerances(mm)													0.1/10	
0	>3	>6	>10	>18	>30	>50	>80	>120	>180	>250	>315	>400		
~3	~6	~10	~18	~30	~50	~80	~120	~180	~250	~315	~400	~500	>500	
±0.12	±0.18	±0.22	±0.26	±0.31	±0.37	±0.57	±0.80	±0.93	±1.05	±1.15	±1.60	±2.20	±2.50	±2'



5.1



UL 标准/UL Standard:	B	C	D
额定电压/电流/Rated Voltage(V)/Current(A)	600/20	/	/
EC 标准/IEC Standard:			
过压类别/Overvoltage Category/污染等级/Pollution Degree	III/3		
额定电压/电流/Rated Voltage(V)/Current(A)	1000/24	/	/
额定脉冲电压(KV)/Rate Impulse Voltage(KV)	8.0	/	/
螺丝扭矩/Torque Tightening(N·m/Lb.in)	M2.5, 0.4/3.6		
线径范围(硬线和软线)/Wire Range(rigid and flexible)(mm ² /AWG)	0.2~2.5&4(Sol)mm ² 26~12AWG		
间距/Pitch(mm)	5.10		
剥线长度/Stripping length(mm)	10		
使用温度范围/Operating temperature(°C)	-40~+105		
符合RoHS环保要求/Conform to RoHS	Yes		

4	Screw	Steel	Zn Plated
3	Cage	Steel	Zn Plated
2	Current Carrier	Copper	Sn Plated
1	Housing	PA66	UL94V-0
ITEM	NAME OF PART	MATERIAL	NOTES

REV	ECN	DESCRIPTION	DRFT	DATE

MATERIAL: /	SURFACE: /		
MAT NO.: /	宁波高松电子有限公司 NINGBO DEGSON ELECTRICAL CO., LTD		
STATUS: /			
APPD: LiGL 2020.04.11	NAME: DC2.5-TW-01P-1Y-00A(H)		
CHKD: MaEK 2020.04.11	DRAWING NO.: DC2.5-TW-C01		
DRFT: FengX 2019.09.24	REV	T1	
⊕	SIZE: A4	TYPE: CUSTOMER DRAWING	SCALE: 2:1 SHEET 1/1