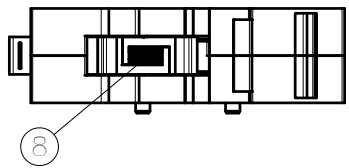
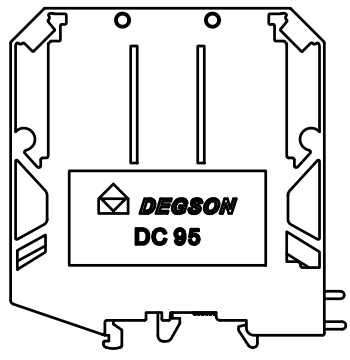
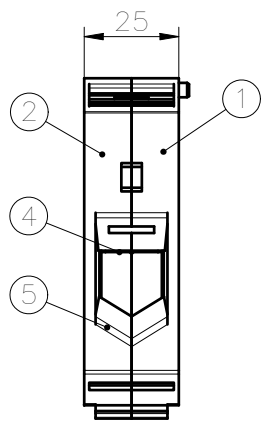
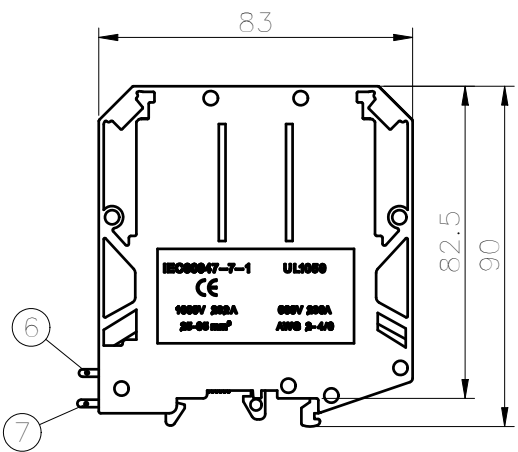
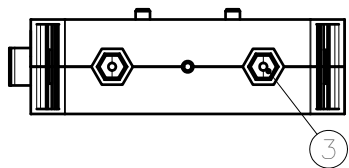


未注公差/General tolerances(mm)

0	>3	>6	>10	>18	>30	>50	>80	>120	>180	>250	>315	>400	>500	0.1/10 ±2'
~3	~6	~10	~18	~30	~50	~80	~120	~180	~250	~315	~400	~500		
±0.12	±0.18	±0.22	±0.26	±0.31	±0.37	±0.57	±0.80	±0.93	±1.05	±1.15	±1.60	±2.20	±2.50	



ITEM	NAME OF PART	MATERIAL	NOTES
8	Spring	Spring Steel	/
7	Sliding part 2	PA66	UL94V-0
6	Sliding part 1	PA66	UL94V-0
5	Groupware	/	/
4	Current carrier	copper	Sn Plated
3	Screw	steel	Zn Plated
2	Housing2	PA66	UL94V-0
1	Housing1	PA66	UL94V-0

III 标准/UL Standard:	B	C	D
额定电压/电流/Rated Voltage(V)/Current(A)	600V/230	/	/
IEC 标准/IEC Standard:			
过压类别/Overvoltage Category/污染等级/Pollution Degree	III/3	III/2	II/2
额定电压/电流/Rated Voltage(V)/Current(A)	1000/232	/	/
额定脉冲电压(KV)/Rate Impulse Voltage(KV)	8		
螺丝扭矩/Torque Tightening(N·m/Lb.in)	M8, 20/177		
线径范围(硬线和软线)/Wire Range(rigid and flexible)(AWG/mm ²)	2~4/0 / 25~95		
间距/Pitch(mm)/线数范围/Poles	25/N=01P		
剥线长度/Stripping length(mm)	33~35		
使用温度范围/Operating temperature(°C)	-40~+105		
符合 RoHS 环保要求/Conform to RoHS	Yes		
标准颜色编号/Standard color number: PANTONE / RAL	/		

DEGSON

APPD: Peng M 2022.08.21
 CHKD: Gao WG 2022.08.21
 DRFT: Huang RJ 2022.08.21

MATERIAL: /	SURFACE: /	
MAT NO./REV: /	/ /	MAT STATUS: /
NAME DC95-01P-1Y-00A(H)		
DRAWING NO. /	TYPE CUSTOMER DRAWING	DRAWING STATUS /
SCALE 2:1	SHEET 1/1	

REV	ECN	DESCRIPTION	DRFT	DATE
00	/	/	Huang RJ	2022.08.21

Transfer or duplication of this document as well as the utilization or communication of its contents are prohibited unless authorized. All rights reserved for patent, utility, model or design registrations. 非经书面授权, 严禁禁止转让、复制、利用、交加本文件的内容, 一经发现将追究法律责任, 本公司保留对涉及发明、实用新型和外观设计的所有权利。