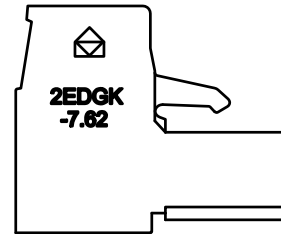
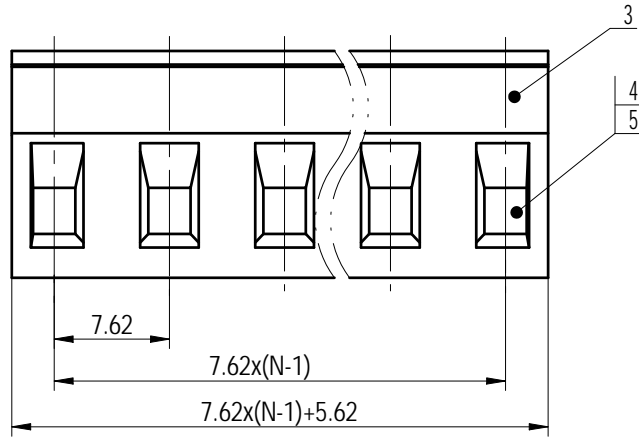
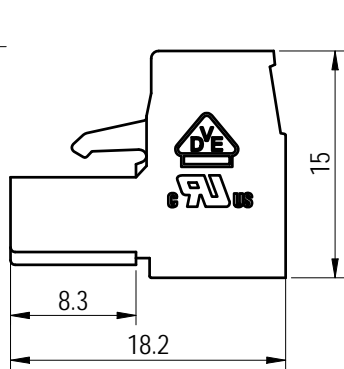
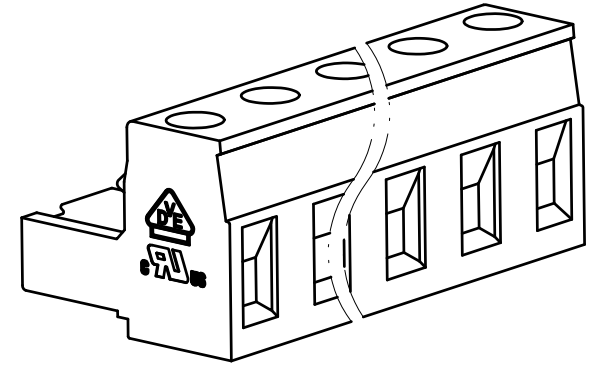
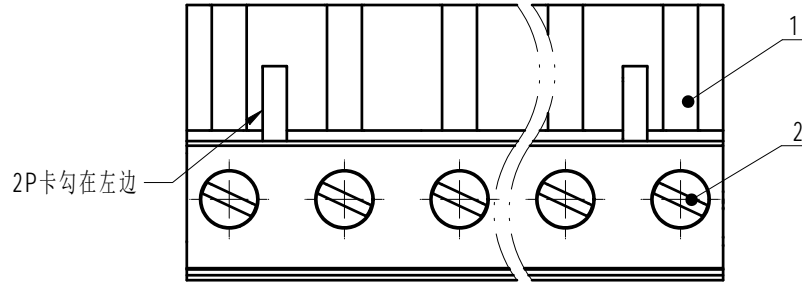


未注公差/General tolerances (mm)													0.1/10 ±2°
0	>3	>6	>10	>18	>30	>50	>80	>120	>180	>250	>315	>400	
~3	~6	~10	~18	~30	~50	~80	~120	~180	~250	~315	~400	~500	>500
±0.12	±0.18	±0.22	±0.26	±0.31	±0.37	±0.57	±0.80	±0.93	±1.05	±1.15	±1.60	±2.20	±2.50



Note:
The A&Z(H) in the name means: A(H) and Z(H).

ITEM	NAME OF PART	MATERIAL	NOTES
5	Cage	Copper alloy	M3/Ni Plated
4	Clamp	Copper alloy	Sn Plated
3	Cover	PA66	UL94V-0
2	Screw	Steel	M3/Zn Plated
1	Housing	PA66	UL94V-0

UL 标准/UL Standard:	B	C	D
额定电压/电流/Rated Voltage(V)/Current(A)	300/15	/	300/10
IEC 标准/IEC Standard:			
过压类别/Overvoltage Category/污染等级/Pollution Degree	III/3	III/2	II/2
额定电压/电流/Rated Voltage(V)/Current(A)	/	400/20	/
额定脉冲电压(KV)/Rate Impulse Voltage(KV)	/	4	/
螺丝扭矩/Torque Tightening(N·m/Lb.in)	M3, 0.5/4.43		
线径范围(硬线和软线)/Wire Range (rigid and flexible)(AWG/mm ²)	28~12/ 1.0~2.5		
间距/Pitch(mm)/线数范围/Poles	7.62/N=02~16P		
剥线长度/Stripping length(mm)	7~8		
使用温度范围/Operating temperature(°C)	-40~+105		
符合RoHS环保要求/Conform to RoHS	Yes		
标准颜色编号/Standard color number: PANTONE / RAL	/		

APPD: 兰春华	2022.08.05
CHKD: 龚耀志	2022.08.05
DRFT: 刘强	2022.08.04

MATERIAL:	SURFACE/COLOR:		
MAT NO./REV:	/ 01	MAT STATUS: 批量	
NAME			
2EDGK-7.62-XXP-1Y-1000A&Z(H)			
DRAWING NO.	TYPE	DRAWING STATUS	SCALE
200029883	CUSTOMER DRAWING	已发布	2:1
SHEET			1/1

REV	ECN	DESCRIPTION	DRFT	DATE
00			刘强	2022.08.04

Transfer or duplication of this document as well as the utilization or communication of its contents are prohibited without the prior written consent of DEGSON. 未经授权，不得复制或传播本文件内容，否则将承担法律责任。 所有权利保留。 All rights reserved for patent, utility model or design registrations. 除专利及外观设计外，其他权利均归本公司所有。