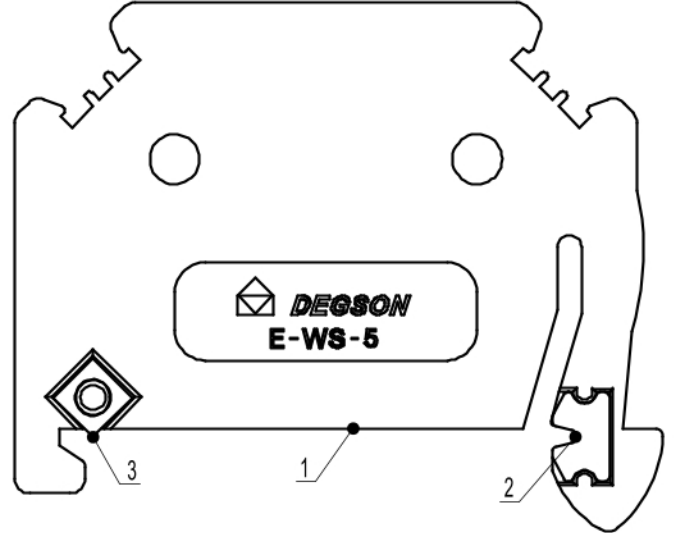
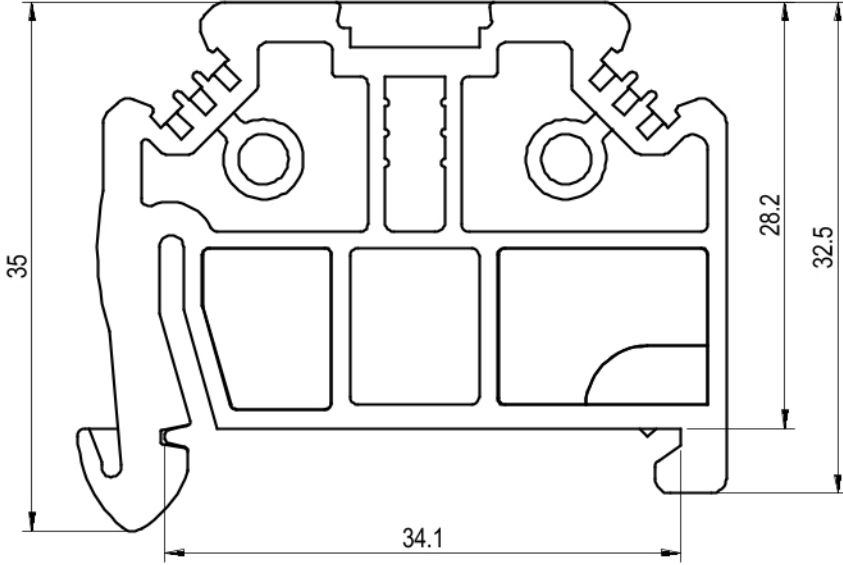
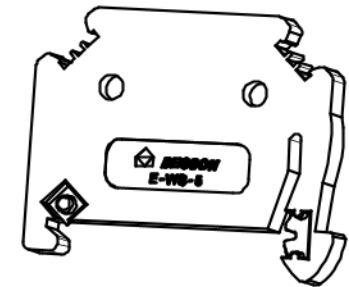
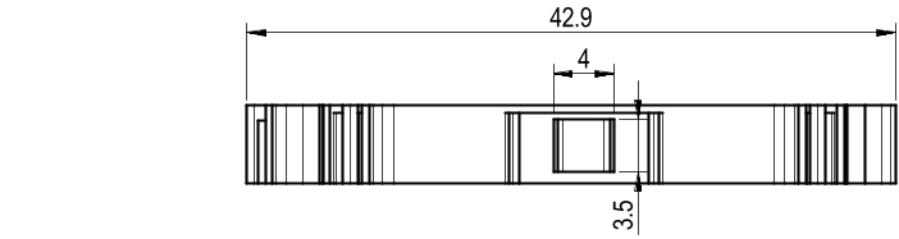


Transfer or duplication of this document as well as the utilization or communication of its contents are prohibited unless explicit authorization is granted. Violations will be liable for compensation. All rights reserved for patent, utility model or design registrations. 非专利技术泄露权、专利申请权、外观设计权等合法权益，未经本公司明确授权，不得擅自转让、复制或、引用。本公司保留对涉及发明、实用新型及外观设计的所有权利。

未注公差/General tolerances (mm)													0.1/10	
0 ~ 3	>3 ~ 6	>6 ~ 10	>10 ~ 18	>18 ~ 30	>30 ~ 50	>50 ~ 80	>80 ~ 120	>120 ~ 180	>180 ~ 250	>250 ~ 315	>315 ~ 400	>400 ~ 500		>500
±0.12	±0.18	±0.22	±0.26	±0.31	±0.37	±0.57	±0.80	±0.93	±1.05	±1.15	±1.60	±2.20	±2.50	±2°

Please refer to the 3D model, for those unmarked dimensions



3	Stator2	Stainless steel	/
2	Stator1	Stainless steel	/
1	Housing	PA66	UL94V-0
ITEM	NAME OF PART	MATERIAL	NOTES
间距/Pitch(mm)/线数范围/Poles			5.2/01P
使用温度范围/Operating temperature(°C)			-40 ~ +105
符合RoHS环保要求/Conform to RoHS			Yes

DEGSON		MATERIAL:	SURFACE/COLOR:
APPD: 李根芳	2022.05.05	MAT NO./REV: 1106000422-1 / 00	MAT STATUS: 批量
CHKD: 马恩开	2022.05.05	NAME: E-WS-5-01P-11-00A (H)	
DRFT: 郑启国	2022.04.29	DRAWING NO. 200069625	TYPE: CUSTOMER DRAWING
		DRAWING STATUS: 已发布	SCALE: 2:1
		SHEET: 1/1	

REV	ECN	DESCRIPTION	DRFT	DATE
00		First edition release	郑启国	2022.04.29