

This document is the property of Amphenol Corporation and is delivered on the express condition that it is not to be disclosed, reproduced or used, in whole or in part, for manufacture or sale by anyone other than Amphenol Corporation without its prior consent, and that no right is granted to disclose or to use any information in this document.

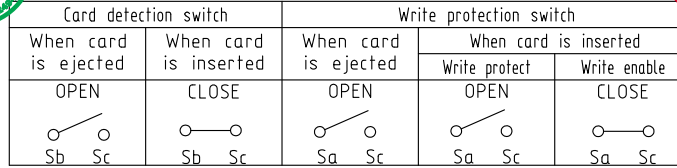
The marking on this product doesn't contain environmental hazardous materials per Material Specification SS-00259 for Sony GP compliant or per directive 2002/95/EC for RoHS compliant.



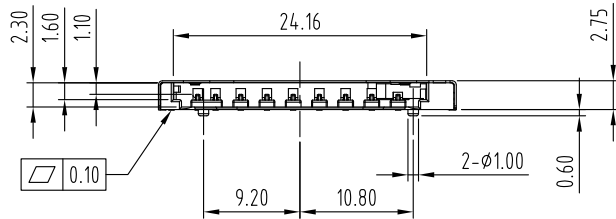
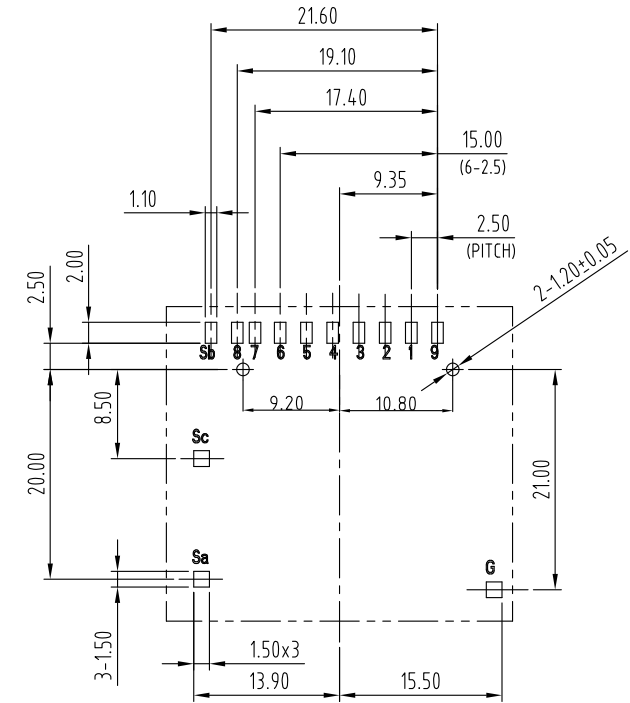
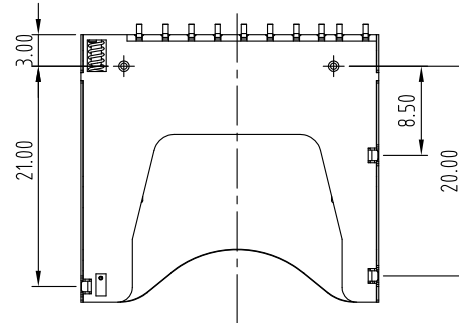
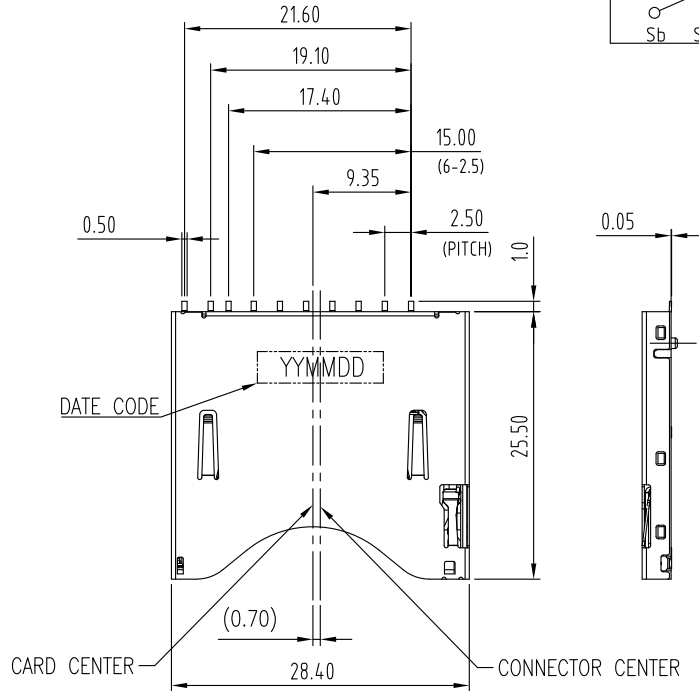
ORIGINAL



REVISIONS				
SYM	ECN No.	DESCRIPTION	DATE	APPROVED
C	NE-09165	CORRECT P/N	10/07/2009	Hank Hsu
D	NE-10193	ADDED P/N AND PACKING	11/16/2010	Arron Lin
E	NE-11112	MODIFY DRAWING	08/03/2011	Arron Lin
F	NE-11159	ADDED DATE CODE OH METAL SHELL	11/16/2011	Roger Tsai
A1	NE-12104	CHANGE STAND OFF 1.80 MM --> 1.70 MM	06/26/2012	Roger Tsai
B1	NE-12162	MODIFY DIMENSION 1.70 +/-0.20 MM --> 1.70 +/-0.10 MM	08/29/2012	Roger Tsai



PIN NO.	PIN ASSIGNMENT	PIN NO.	PIN ASSIGNMENT
1	DAT3/CS/CD	8	DAT1
2	CMD	9	DAT2
3	VSS1	Sa	WRITE PROTECTION
4	VDD	Sb	CARD DETECTION
5	CLK	Sc	COMMON SWITCH
6	VSS2	G	GROUND
7	DAT0		



PART NO. GSD0901XXHR

CONTACT FINISH
 2: 15 u" GOLD
 3: 30 u" GOLD
 4: 10 u" GOLD

TYPE
 4: STAND OFF 1.70 MM
 6: STANDARD

RECOMMEND PC BOARD LAYOUT
 (GENERAL TOLERANCE: ±0.05)

TOLERANCE	DRAWN	APPROVALS	DATE	TITLE	Amphenol® Amphenol Corporation Amphenol Taiwan Corporation			
X. X.X ±0.30 X.XX ±0.20 X.XXX ±0.10	DESIGNED	Roger Tsai	08/29/2012	SD CARD CONNECTOR 9 POS., PUSH PUSH TYPE	UNIT m/m	SIZE A3	PART No. GSD0901XXHR	
ANGULAR ±2°	CHECKED	Aqua Chou	08/29/2012	UNIT SCALE 2:1			SHEET 1 OF 4	DWG No. GSD0901XXHR
UNLESS OTHERWISE SPECIFIED	DWG TYPE	CUST DWG	PROJECT CODE OTHER					

This document is the property of Amphenol Corporation and is delivered on the express condition that is not to be disclosed, reproduced or used, in whole or in part, for manufacture or sale by anyone other than Amphenol Corporation without its prior consent, and that no right is granted to disclose or to use any information in this document.

The marking on this product doesn't contain environmental hazardous materials per Material Specification SS-00259 for Sony GP compliant or per directive 2002/95/EC for RoHS compliant.



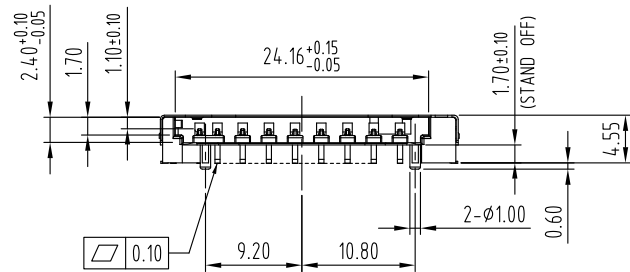
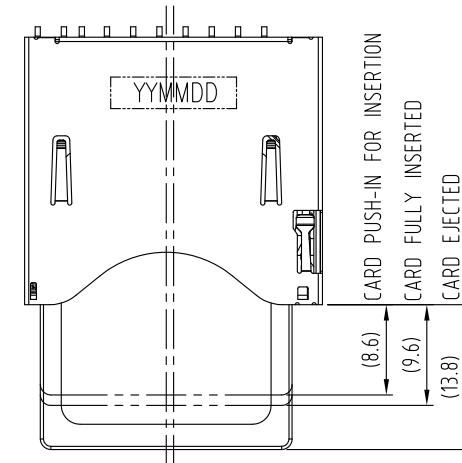
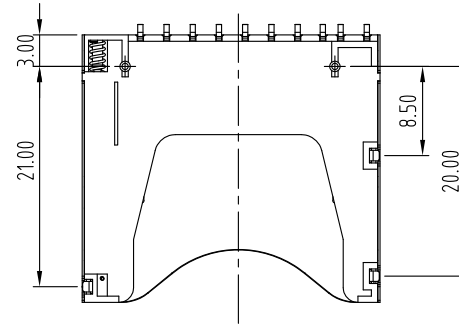
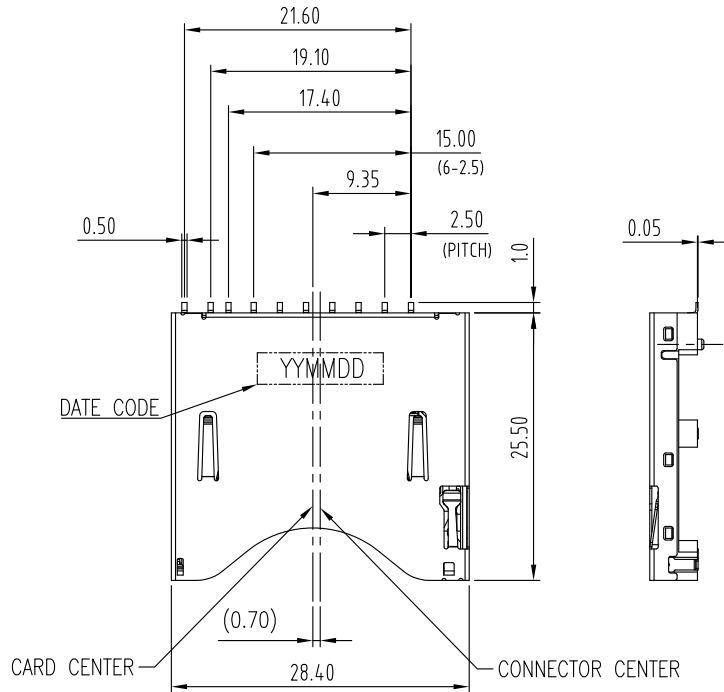
ORIGINAL



REVISIONS				
SYM	ECN No.	DESCRIPTION	DATE	APPROVED
C	NE-09165	CORRECT P/N	10/07/2009	Hank Hsu
D	NE-10193	ADDED P/N AND PACKING	11/16/2010	Arron Lin
E	NE-11112	MODIFY DRAWING	08/03/2011	Arron Lin
F	NE-11159	ADDED DATE CODE OH METAL SHELL	11/16/2011	Roger Tsai
A1	NE-12104	CHANGE STAND OFF 1.80 MM --> 1.70 MM	06/26/2012	Roger Tsai
B1	NE-12162	MODIFY DIMENSION 1.70 +/-0.20 MM --> 1.70 +/-0.10 MM	08/29/2012	Roger Tsai

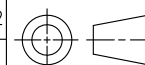
NOTES:

- INSULATOR: THERMOPLASTIC, UL94V-0, COLOR: BLACK
- TERMINAL: COPPER ALLOY
SELECTED GOLD PLATED ON CONTACT AREA
GOLD FLASH ON SOLDER AREA
50u" MINIMUM NICKEL UNDERPLATED
- HOLD DOWN: COPPER ALLOY
GOLD FLASH ON SOLDER AREA
50u" MINIMUM NICKEL UNDERPLATED
- SHELL: STAINLESS STEEL
- THIS PRODUCT DOESN'T CONTAIN ENVIRONMENTAL HAZARDOUS PER DIRECTIVE 2002/95/EC FOR RoHS COMPLIANT.



STAND OFF 1.70

TOLERANCE	DRAWN	APPROVALS	DATE	TITLE	Amphenol® Amphenol Corporation Amphenol Taiwan Corporation			
X. X.X ±0.30 X.XX ±0.20 X.XXX ±0.10	DESIGNED	Roger Tsai	08/29/2012	SD CARD CONNECTOR 9 POS., PUSH PUSH TYPE	PART No. GSD0901XXHR			
	CHECKED	Aqua Chou	08/29/2012					
ANGULAR ±2°	APPROVED	Roger Tsai	08/29/2012		DWG No. GSD0901XXHR			
UNLESS OTHERWISE SPECIFIED	DWG TYPE	CUST DWG	PROJECT CODE	OTHER				



UNIT	m/m	SIZE	A3
SCALE	2:1	SHEET	2 OF 4

REV. B1

This document is the property of Amphenol Corporation and is delivered on the express condition that is not to be disclosed, reproduced or used, in whole or in part, for manufacture or sale by anyone other than Amphenol Corporation without its prior consent, and that no right is granted to disclose or to use any information in this document.

The marking on this product doesn't contain environmental hazardous materials per Material Specification SS-00259 for Sony GP compliant or per directive 2002/95/EC for RoHS compliant.

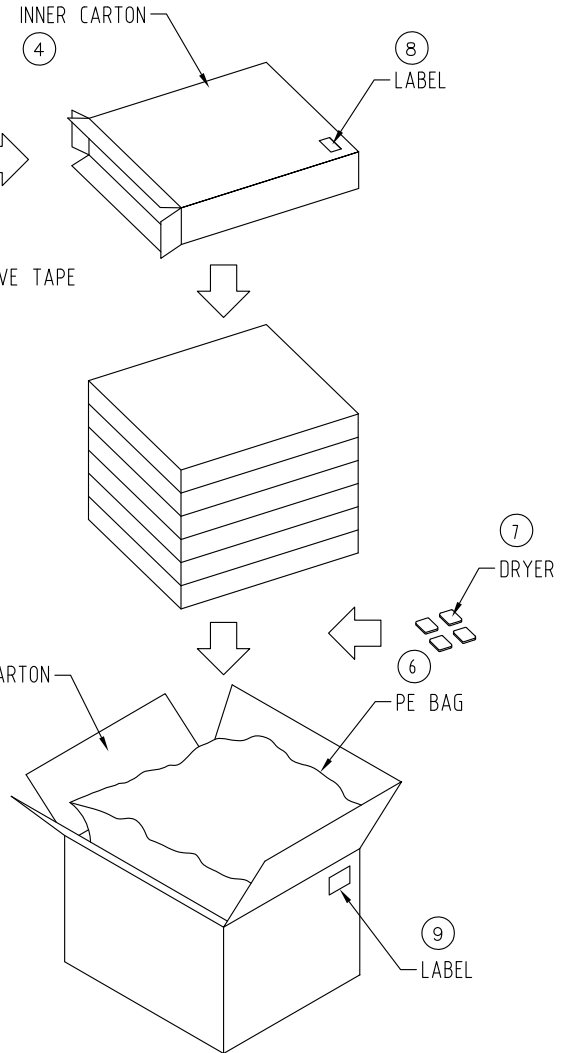
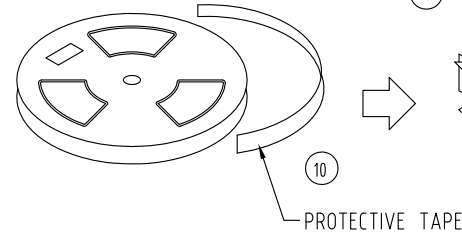
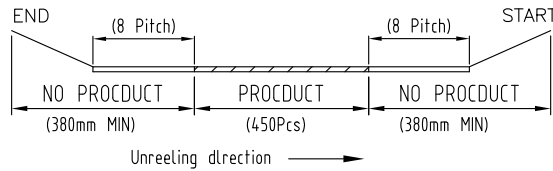
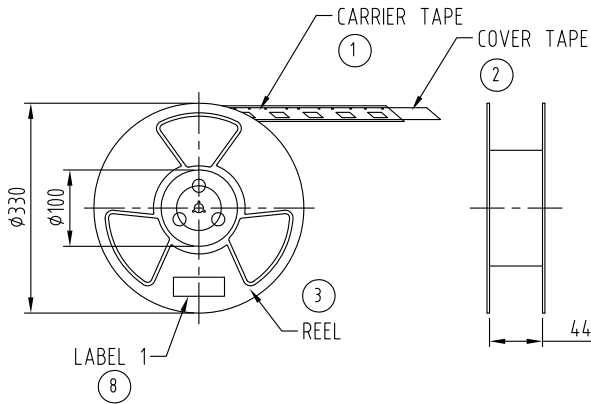
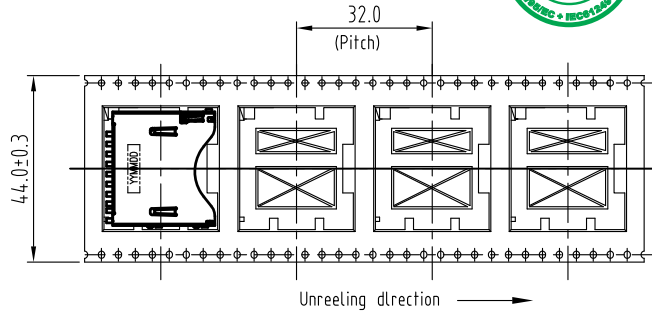


ORIGINAL

STANDARD



REVISIONS				
SYM	ECN No.	DESCRIPTION	DATE	APPROVED
C	NE-09165	CORRECT P/N	10/07/2009	Hank Hsu
D	NE-10193	ADDED P/N AND PACKING	11/16/2010	Arron Lin
E	NE-11112	MODIFY DRAWING	08/03/2011	Arron Lin
F	NE-11159	ADDED DATE CODE OH METAL SHELL	11/16/2011	Roger Tsai
A1	NE-12104	CHANGE STAND OFF 1.80 MM --> 1.70 MM	06/26/2012	Roger Tsai
B1	NE-12162	MODIFY DIMENSION 1.70 +/-0.20 MM --> 1.70 +/-0.10 MM	08/29/2012	Roger Tsai



- NOTES:
- PACKING STYLE 450 PCS/REEL
1 REEL/INNER CARTON
2700 PCS/OUTER CARTON
 - MATERIAL CARRIER TAPE:PS BLACK
COVER TAPE:PET FILM
REEL:PLASTIC
 - PEEL STRENGTH OF COVER TAPE:20-80g(PEEL SPEED 300mm/MINUTE).

10	PROTECTIVE TAPE	1	PCS	
9	LABEL	1	PCS	
8	LABEL	12	PCS	
7	DRYER	4	BAG	
6	PE BAG	1	PCS	L850×W750mm
5	OUTER CARTON	1	PCS	
4	INNER CARTON	6	PCS	
3	REEL	6	SET	ø330×100mm, W=44mm
2	COVER TAPE	450	6	PCS W=37.5mm, T=0.4mm, 15.3M
1	CARRIER TAPE	450	6	PCS W=44mm, T=0.4mm, 15.3M/REEL

No.	DISCRIPTION	PCS/T	T/BOX	UNIT	NOTE
			QTY		

TOLERANCE	DRAWN	APPROVALS	DATE	TITLE	Amphenol®					
X. X.X ±0.30 X.XX ±0.20 X.XXX ±0.10	DESIGNED	Roger Tsai	08/29/2012	SD CARD CONNECTOR 9 POS., PUSH PUSH TYPE	Amphenol Corporation Amphenol Taiwan Corporation					
ANGULAR ±2°	CHECKED	Aqua Chou	08/29/2012		UNIT	mm	SIZE	A3	PART No.	GSD0901XXHR
UNLESS OTHERWISE SPECIFIED	APPROVED	Roger Tsai	08/29/2012		SCALE	NA	SHEET	3 OF 4	DWG No.	GSD0901XXHR
	DWG TYPE	PKG DWG	PROJECT CODE	OTHER					REV.	B1

This document is the property of Amphenol Corporation and is delivered on the express condition that is not to be disclosed, reproduced or used, in whole or in part, for manufacture or sale by anyone other than Amphenol Corporation without its prior consent, and that no right is granted to disclose or to use any information in this document.

The marking on this product doesn't contain environmental hazardous materials per Material Specification SS-00259 for Sony GP compliant or per directive 2002/95/EC for RoHS compliant.

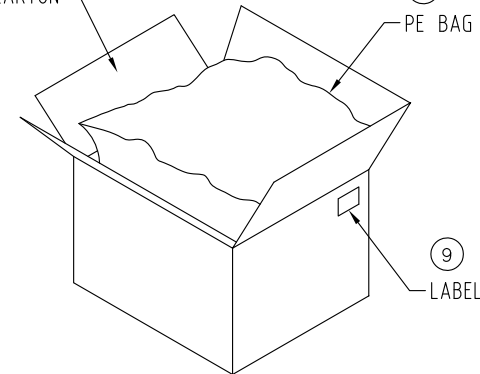
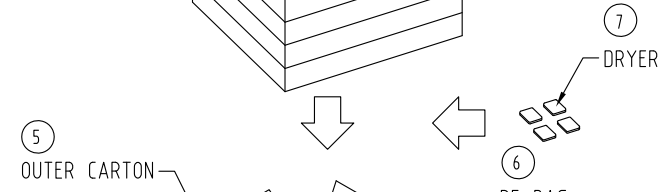
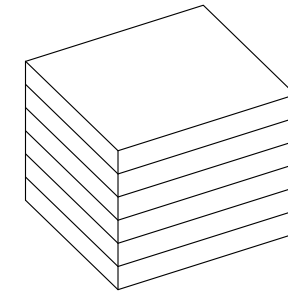
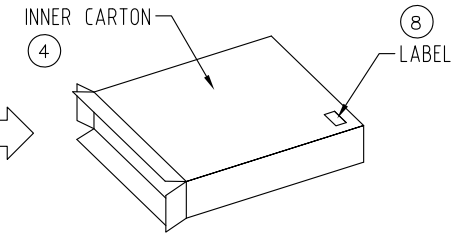
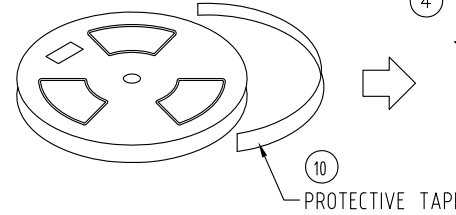
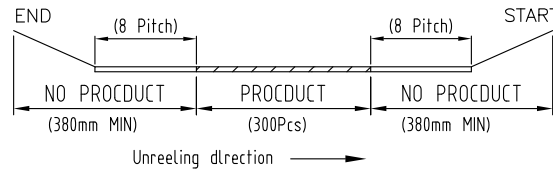
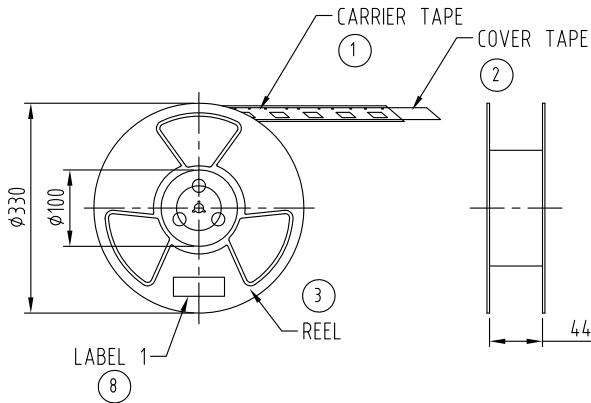
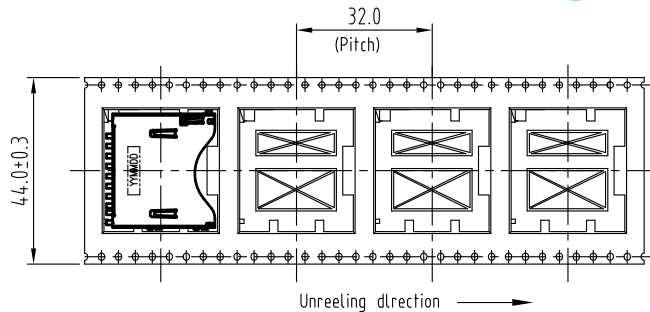


ORIGINAL



REVISIONS				
SYM	ECN No.	DESCRIPTION	DATE	APPROVED
C	NE-09165	CORRECT P/N	10/07/2009	Hank Hsu
D	NE-10193	ADDED P/N AND PACKING	11/16/2010	Arron Lin
E	NE-11112	MODIFY DRAWING	08/03/2011	Arron Lin
F	NE-11159	ADDED DATE CODE OH METAL SHELL	11/16/2011	Roger Tsai
A1	NE-12104	CHANGE STAND OFF 1.80 MM --> 1.70 MM	06/26/2012	Roger Tsai
B1	NE-12162	MODIFY DIMENSION 1.70 +/-0.20 MM --> 1.70 +/-0.10 MM	08/29/2012	Roger Tsai

STAND OFF 1.80



- NOTES:
- PACKING STYLE 300 PCS/REEL
1 REEL/INNER CARTON
1800 PCS/OUTER CARTON
 - MATERIAL CARRIER TAPE:PS BLACK
COVER TAPE:PET FILM
REEL:PLASTIC
 - PEEL STRENGTH OF COVER TAPE:20-80g(PEEL SPEED 300mm/MINUTE).

10	PROTECTIVE TAPE	1	PCS	
9	LABEL	1	PCS	
8	LABEL	12	PCS	
7	DRYER	4	BAG	
6	PE BAG	1	PCS	L850×W750mm
5	OUTER CARTON	1	PCS	
4	INNER CARTON	6	PCS	
3	REEL	6	SET	φ330×100mm,W=44mm
2	COVER TAPE	300	6	PCS W=37.5mm,10.7M
1	CARRIER TAPE	300	6	PCS W=44mm,T=0.4mm,10.7M/REEL

No.	DISCRIPTION	PCS/T	T/BOX	UNIT	NOTE
		QTY			

TOLERANCE	DRAWN	APPROVALS	DATE	TITLE	Amphenol®					
X. X.X ±0.30 X.XX ±0.20 X.XXX ±0.10	DESIGNED	Roger Tsai	08/29/2012	SD CARD CONNECTOR 9 POS., PUSH PUSH TYPE	Amphenol Corporation Amphenol Taiwan Corporation					
ANGULAR ±2°	CHECKED	Aqua Chou	08/29/2012		UNIT	mm	SIZE	A3	PART No.	GSD0901XXHR
UNLESS OTHERWISE SPECIFIED	APPROVED	Roger Tsai	08/29/2012		SCALE	NA	SHEET	4 OF 4	DWG No.	GSD0901XXHR
	DWG TYPE	PKG DWG	PROJECT CODE	OTHER					REV.	B1