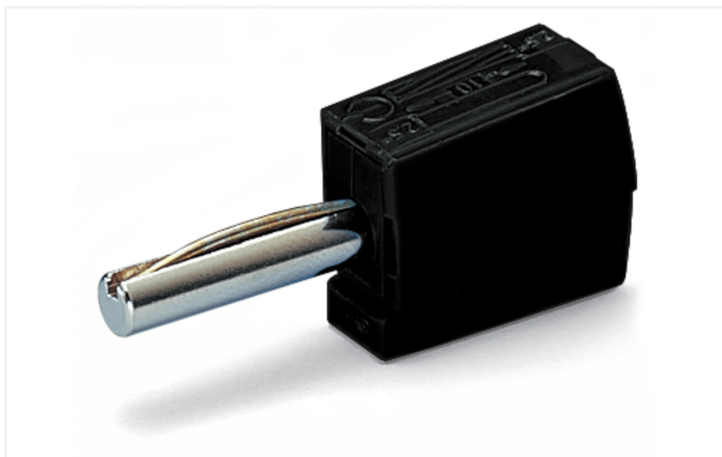
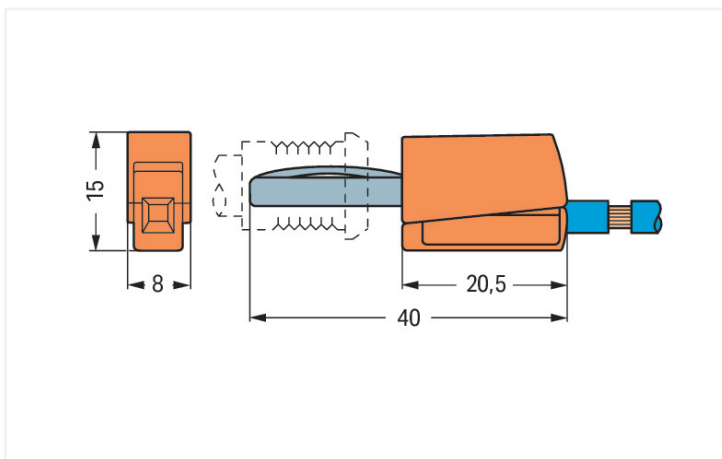


Data Sheet | Item Number: 215-311  
Banana plug; for socket 4 mm Ø; 2,50 mm<sup>2</sup>; black

<https://www.wago.com/215-311>



Color: ■ black



Dimensions in mm

#### Technical data

Total number of potentials	1
----------------------------	---

#### Electrical data

Rated current	20 A
Test voltage	42 V

### Connection Data

Connection technology	CAGE CLAMP®
Strip length	9 ... 11 mm / 0.35 ... 0.43 inches
Clamping units	1
Solid conductor	0.08 ... 2.5 mm <sup>2</sup> / 28 ... 14 AWG
Fine-stranded conductor	0.08 ... 2.5 mm <sup>2</sup> / 28 ... 14 AWG

### Physical data

Width	8 mm / 0.315 inches
Height	15 mm / 0.591 inches
Depth	40 mm / 1.575 inches

### Material data

Color	black
Fire load	0.037 MJ
Weight	3.9 g

### Commercial data

Product Group	2 (Terminal Block Accessories)
PU (SPU)	50 pcs
Packaging type	Box
Country of origin	DE
GTIN	4045454293499
Customs tariff number	85366990990

### Product Classification

UNSPSC	39121421
eCl@ss 10.0	27-44-03-13
eCl@ss 9.0	27-44-03-13
ETIM 9.0	EC002255
ETIM 10.0	EC002255
ECCN	NO US CLASSIFICATION

### Environmental Product Compliance

RoHS Compliance Status	Compliant, No Exemption
------------------------	-------------------------

### Downloads

#### Environmental Product Compliance

##### Compliance Search

Environmental Product  
Compliance 215-311



## Documentation

### Bid Text

215-311	19.02.2019	xml 3.02 KB	↓
215-311	19.09.2017	doc 24.50 KB	↓

## CAD/CAE-Data

### CAD data

2D/3D Models 215-311



### CAE data

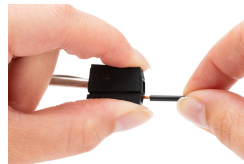
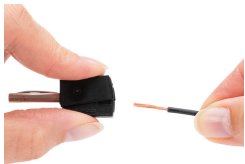
EPLAN Data Portal  
215-311



WSCAD Universe  
215-311



## Installation Notes



Conductor termination: Press button fully, insert stripped conductor into square entry and release.

Strip conductor to 9 ... 11 mm (0.35 ... 0.43 inch).

## Testing



Testing via banana plug.  
Picture shows a test plug adapter (Item No. 209-170).