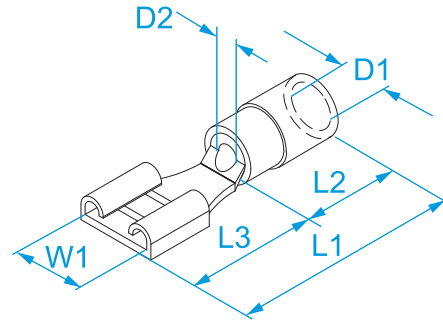


Product family: Terminals - Insulated quick-connect terminals
Item code: 00190, 00105, 00145, 00148, 00395, 00390, 00290, 00205, 00245, 00248, 00391, 00393
Description: QUICK-CONNECT TERMINALS · PVC INSULATED AND ANTI-VIBRATING · FEMALE

Image



Technical drawing



Specifications

TERMINAL MATERIAL: tinned brass
END-SLEEVE MATERIAL: copper
INSULATION MATERIAL: polyvinylchloride (PVC)
OPERATING TEMPERATURE: 75 °C max
INSULATION SELF-EXTINGUISHING GRADE: UL 94 V0
RATED VOLTAGE: 300V max
HOW TO ASSEMBLE: double crimping

Code	Color	Section (mm ²)	Section (AWG)	For male (mm)	For male (")	W1 (mm)	L1 (mm)	L2 (mm)	L3 (mm)	D1 (mm)	D2 (mm)	
00190	Red	0.25 ÷ 1.5	(22 - 16)	6.3 x 0.8	0.250x0.032	6,6	20,7	10	7,8	3,8	1,9	100/1000
00105•	Red	0.25 ÷ 1.5	(22 - 16)	5.2 x 0.8	0.205x0.032	5,5	18,7	10	6,4	3,8	1,9	
00145	Red	0.25 ÷ 1.5	(22 - 16)	4.8 x 0.5	0.187x0.020	5	19,1	10	6	3,8	1,9	
00148	Red	0.25 ÷ 1.5	(22 - 16)	4.8 x 0.8	0.187x0.032	5	19,1	10	6	3,8	1,9	
00395	Red	0.25 ÷ 1.5	(22 - 16)	2.8 x 0.5	0.110x0.020	3,2	18,5	10	6,4	3,8	1,9	
00390	Red	0.25 ÷ 1.5	(22 - 16)	2.8 x 0.8	0.110x0.032	3,2	18,5	10	6,4	3,8	1,9	100/1000
00290	Blue	1.5 ÷ 2.5	(16 - 14)	6.3 x 0.8	0.250x0.032	6,6	20,7	10	7,8	4,3	2,4	
00205•	Blue	1.5 ÷ 2.5	(16 - 14)	5.2 x 0.8	0.205x0.032	5,5	18,7	10	6,4	4,3	2,4	
00245	Blue	1.5 ÷ 2.5	(16 - 14)	4.8 x 0.5	0.187x0.020	5	18,7	10	6	4,3	2,4	
00248	Blue	1.5 ÷ 2.5	(16 - 14)	4.8 x 0.8	0.187x0.032	5	18,7	10	6	4,3	2,4	
00391	Yellow	4 ÷ 6	(12 - 10)	6.3 x 0.8	0.250x0.032	6,6	24,5	14	7,8	6,8	3,5	50/500
00393•	Yellow	4 ÷ 6	(12 - 10)	9.8 x 1.1	0.375x0.043	10	29	14	12	6,8	3,5	