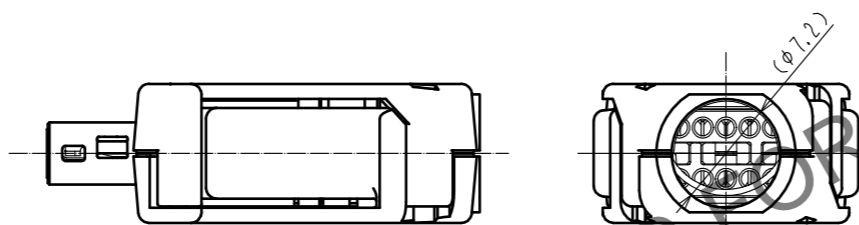
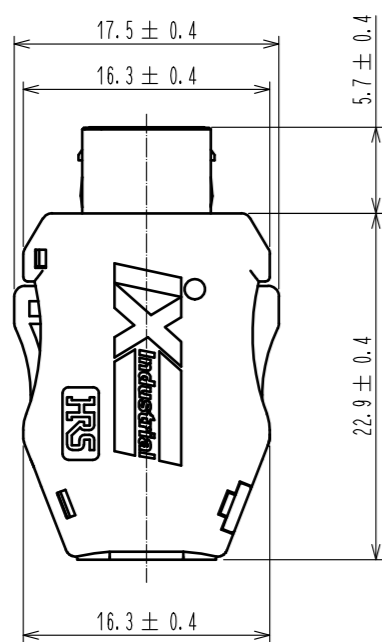
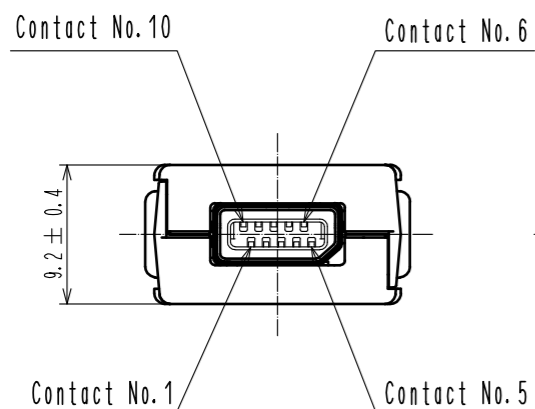
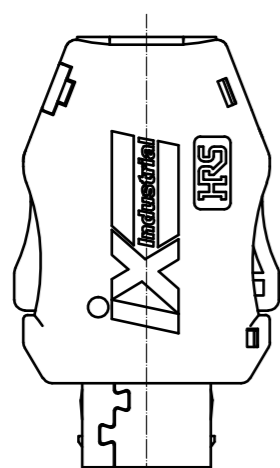
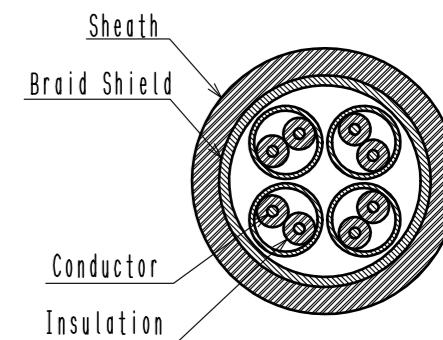


May.1.2026 Copyright 2026 HIROSE ELECTRIC CO., LTD. All Rights Reserved.
In case of consideration for using Automotive equipment / device which demand high reliability, kindly contact our sales window correspondents.



Notes. 1. Recommended cable condition is shown below.
 ⚠ A list of compatible cables is available on the Hirose website.
 When using a non-recommended cable, please contact a Hirose sales representative.
 Refer to the technical specification (ETAD-E3164) for wiring and assembly procedures.

Items	Recommended Condition
Conductor size	AWG # 28-22
Insulation O. D.	φ 1.55 mm MAX.
Braid Shield	Tin plating
Sheath O. D.	φ 6.3 -7.2 mm

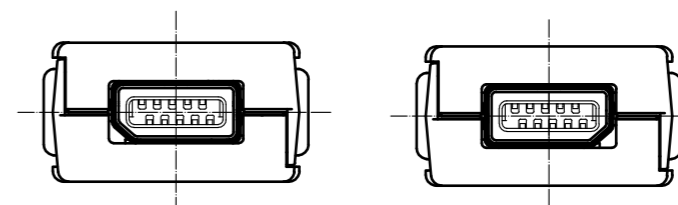


2. This product (Type B) is used for non Ethernet applications like signaling, serial or other industrial bus communication systems.
 Please use Type A for 10/100 Mbit/s and 1/10 Gbit/s Ethernet communication.

⚠ Mating Key

Type A

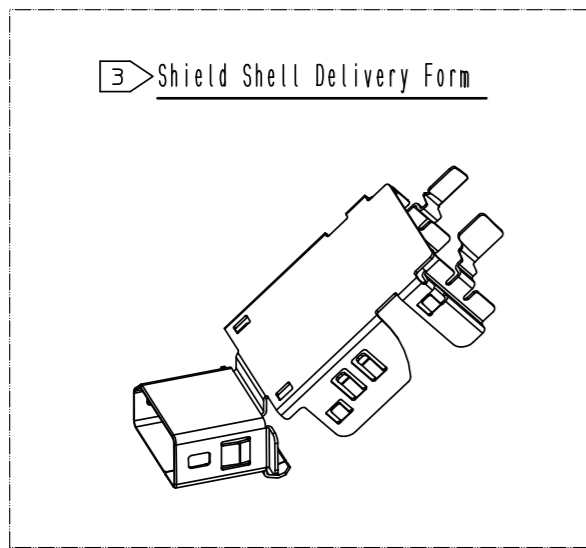
Type B



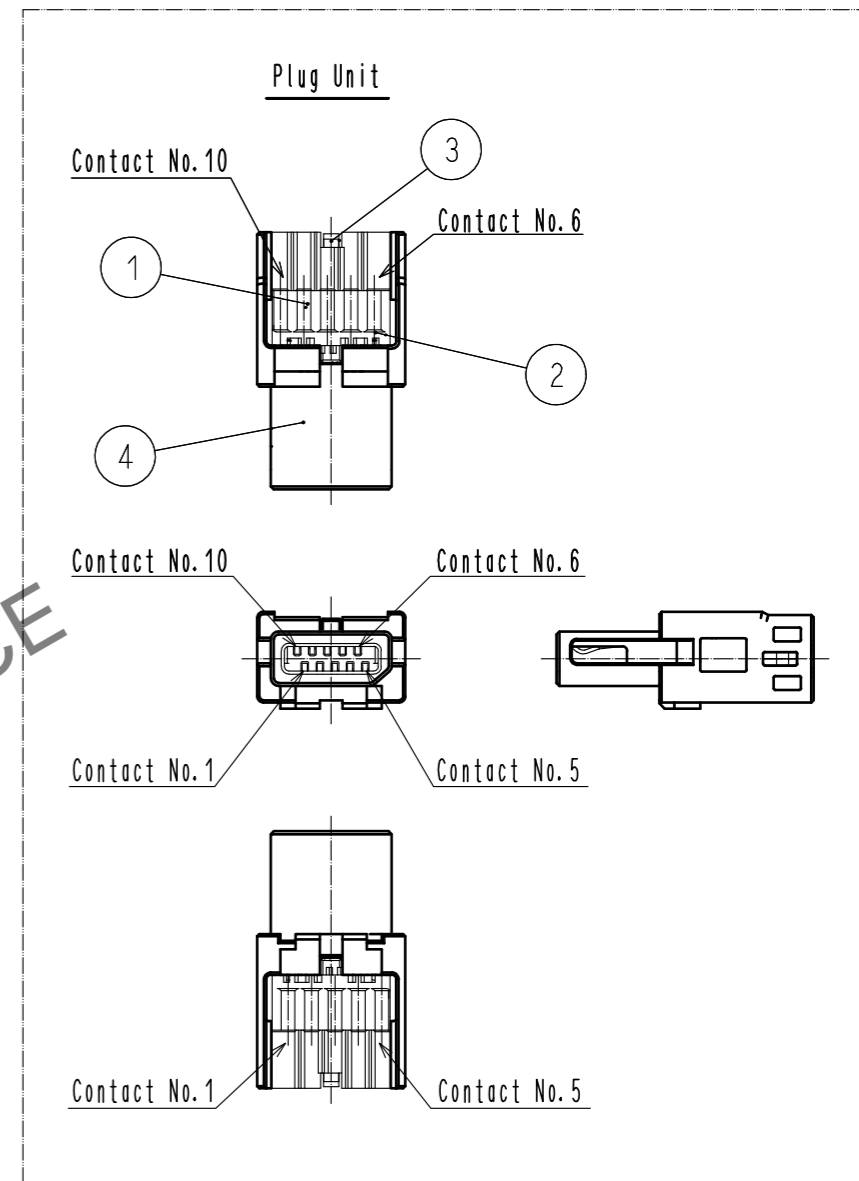
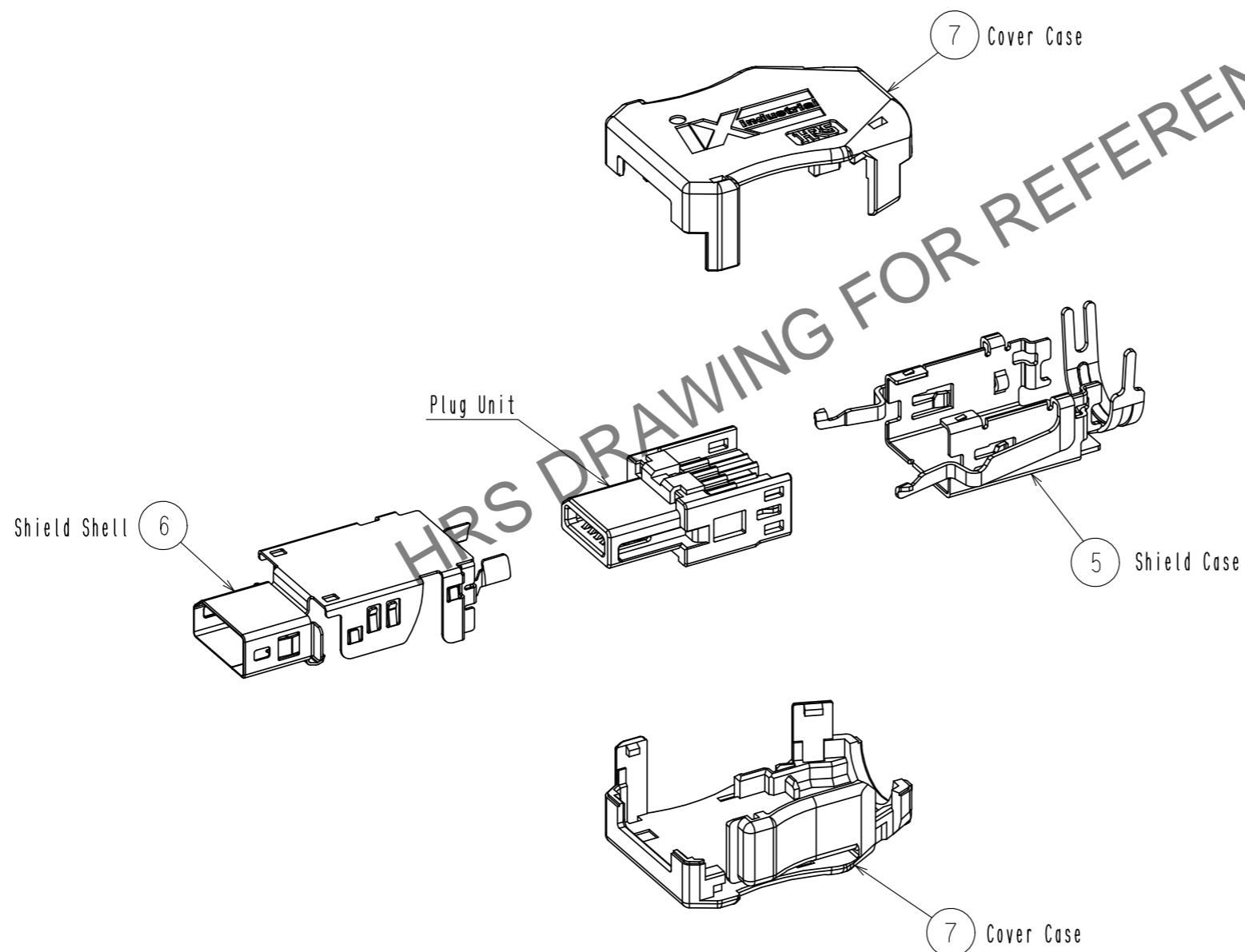
⚠ ③ Excluding the plug unit, this product is packaged separately by the type of parts.
 The shield shell is packaged prior to bending. (See next page.)

3	Stainless Steel		7	PC	Dark gray, UL94V-0		
2	PA	Black, UL94V-0	6	Stainless Steel	Nickel 0.2 μm min		
1	Copper Alloy	Contact area : Gold 0.2 μm min Wiring area : Gold 0.03 μm min Under plating : Nickel 2 μm min	5	Stainless Steel	Nickel 1 μm min		
			4	PA	Black, UL94V-0		
NO.	MATERIAL	FINISH . REMARKS	NO.	MATERIAL	FINISH . REMARKS		
UNITS mm		SCALE 2 : 1	COUNT 6	DESCRIPTION OF REVISIONS DIS-E-00006884	DESIGNED MT. YASUDA	CHECKED KI. KAGOTANI	DATE 20210929
HRS HIROSE ELECTRIC CO., LTD.		APPROVED : RI. TAKAYASU 20170328	DRAWING NO. EDC-129507-00-00				
		CHECKED : KI. NAGANUMA 20170327	PART NO. IX40G-B-10S-CV(7.0)				
		DESIGNED : TS. SAKAIZAWA 20170327	CODE NO. CL0251-0032-0-00				
		DRAWN : TS. SAKAIZAWA 20170327					

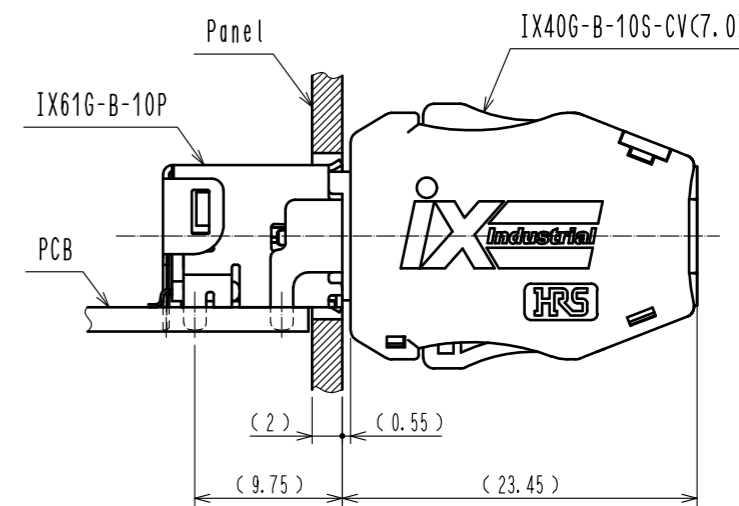
May.1.2026 Copyright 2026 HIROSE ELECTRIC CO., LTD. All Rights Reserved.
 In case of consideration for using Automotive equipment / device which demand high reliability, kindly contact our sales window correspondents.



Product Structure



Mated Condition



HRS	DRAWING NO.	EDC-129507-00-00	
	PART NO.	IX40G-B-10S-CV(7.0)	
	CODE NO.	CL0251-0032-0-00	