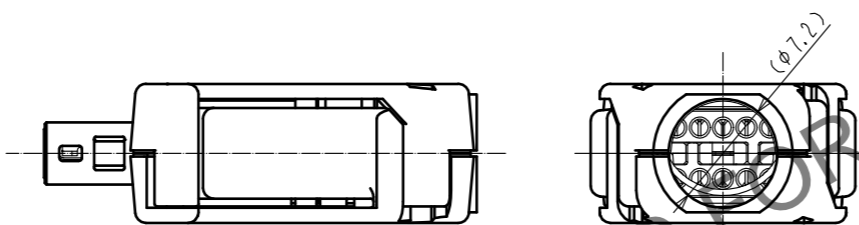
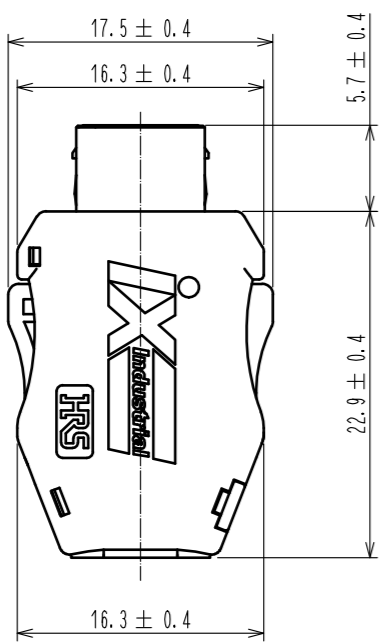
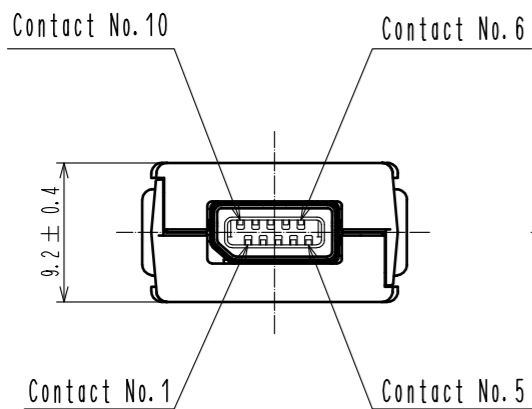
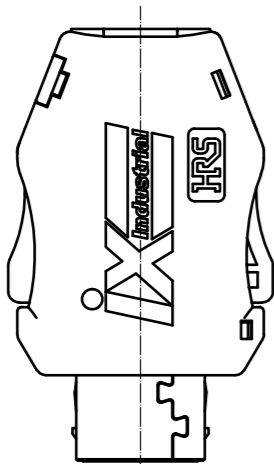


Jun.1.2026 Copyright 2026 HIROSE ELECTRIC CO., LTD. All Rights Reserved.
In case of consideration for using Automotive equipment / device which demand high reliability, kindly contact our sales window correspondents.



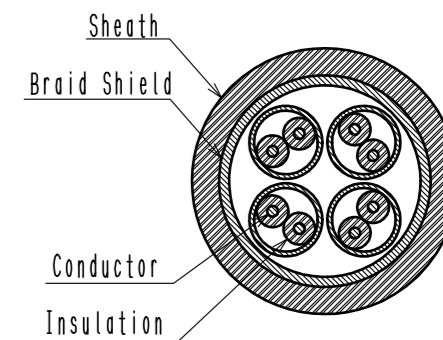
HRS DRAWING FOR REFERENCE

Pin Assignment For 10/100 Mbit/s And 1/10 Gbit/s Ethernet

Contact No.	Signal	
	10/100 Mbit/s	1/10 Gbit/s
1	TX+	BI_DA+
2	TX-	BI_DA-
3	N.C	N.C
4	N.C	BI_DC+
5	N.C	BI_DC-
6	RX+	BI_DB+
7	RX-	BI_DB-
8	N.C	N.C
9	N.C	BI_DD+
10	N.C	BI_DD-

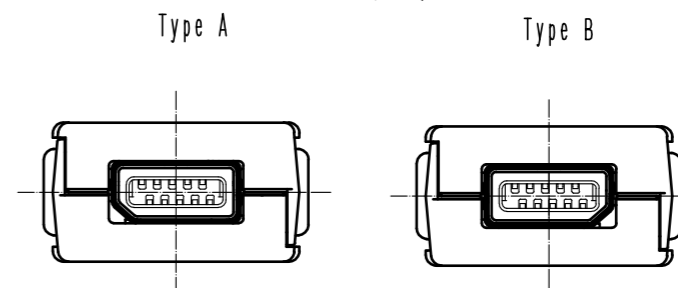
Notes. 1. Recommended cable condition is shown below.
 ⚠ A list of compatible cables is available on the Hirose website.
 When using a non-recommended cable, please contact a Hirose sales representative.
 Refer to the technical specification (ETAD-E3164) for wiring and assembly procedures.

Items	Recommended Condition
Conductor size	AWG # 28-22
Insulation O. D.	φ 1.55 mm MAX.
Braid Shield	Tin plating
Sheath O. D.	φ 6.3 -7.2 mm



2 This product (Type A) is defined for 10/100 Mbit/s and 1/10 Gbit/s Ethernet communication. Please use Type B for all other non Ethernet applications like signaling, serial or other industrial bus communication systems.

Mating Key



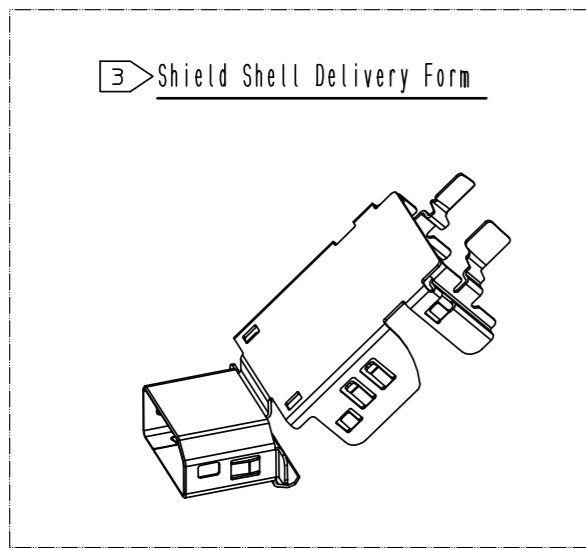
3 Excluding the plug unit, this product is packaged separately by the type of parts. The shield shell is packaged prior to bending. (See next page.)

NO.	MATERIAL	FINISH . REMARKS	NO.	MATERIAL	FINISH . REMARKS
3	Stainless Steel		7	PC	Dark gray, UL94V-0
2	PA	Black, UL94V-0	6	Stainless Steel	Nickel 0.2 μm min
1	Copper Alloy	Contact area : Gold 0.2 μm min Wiring area : Gold 0.03 μm min Under plating : Nickel 2 μm min	5	Stainless Steel	Nickel 1 μm min
			4	PA	Black, UL94V-0

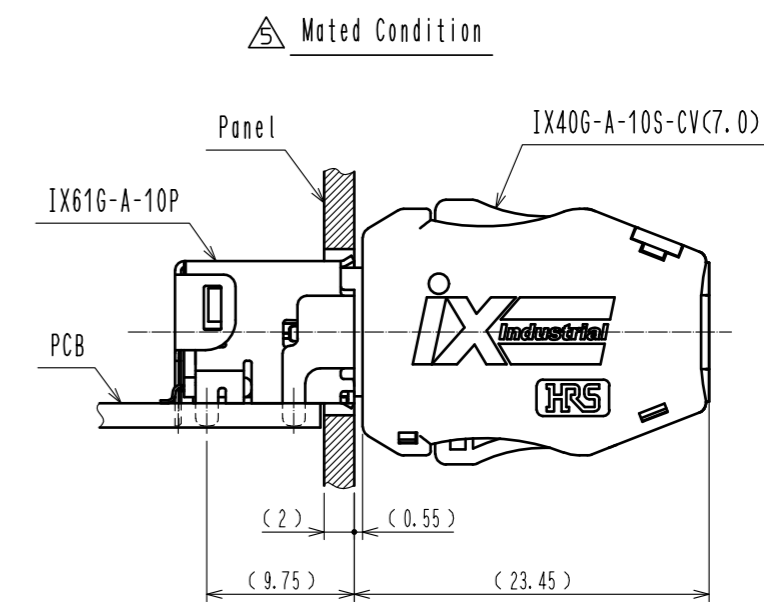
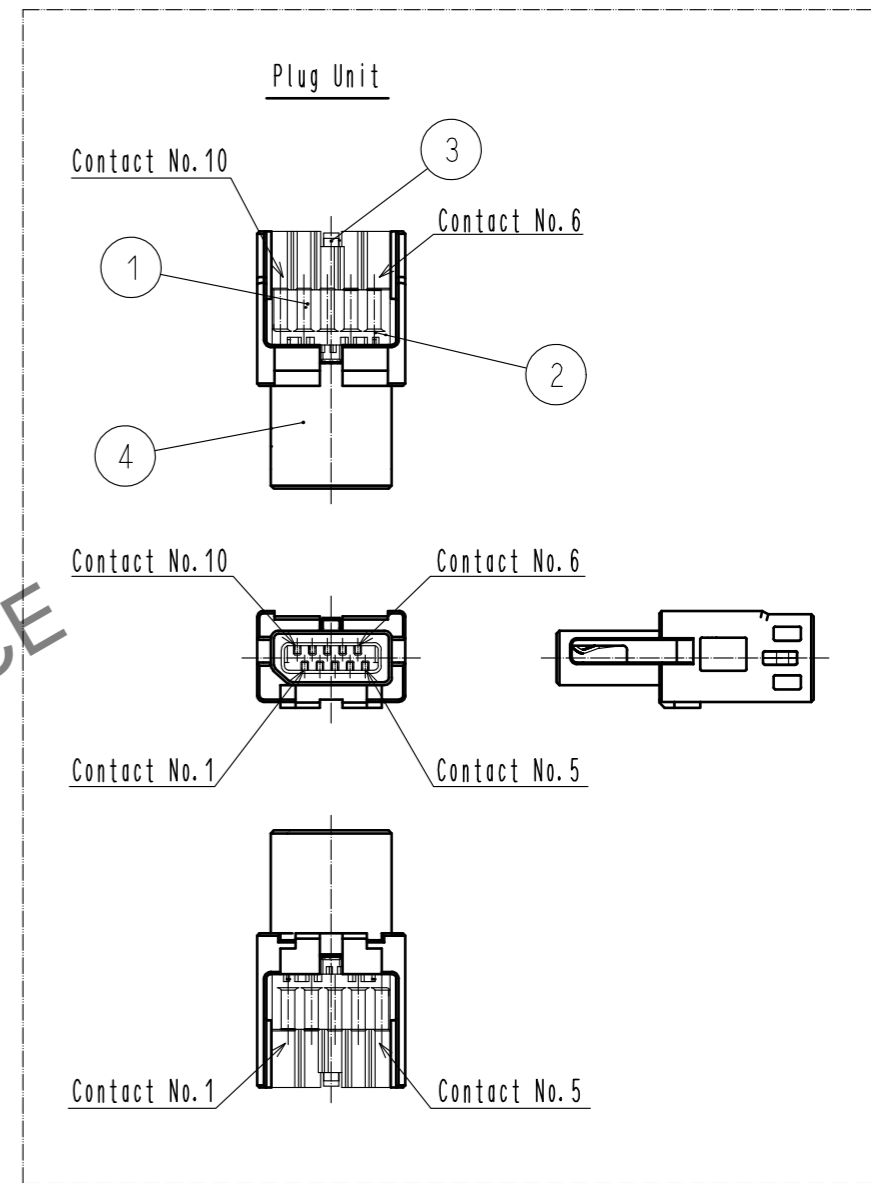
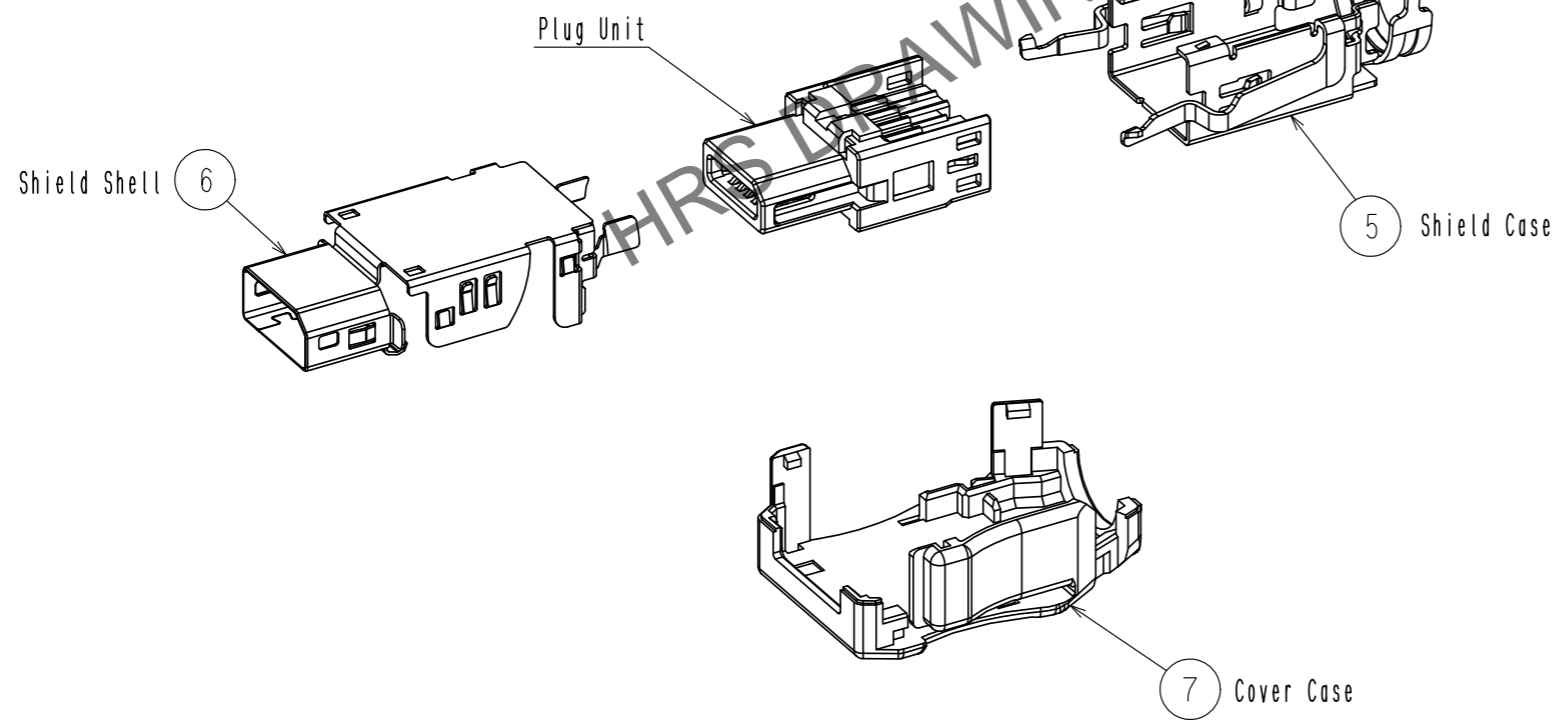
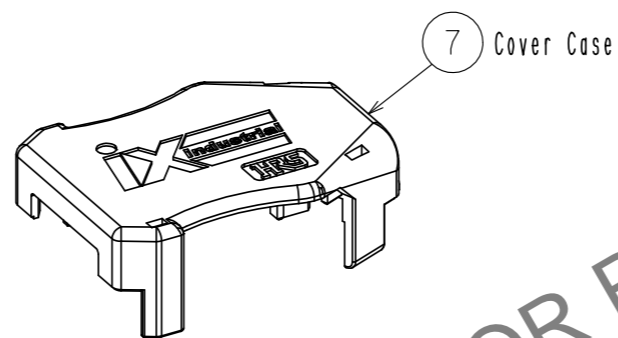
UNITS	SCALE	COUNT	DESCRIPTION OF REVISIONS	DESIGNED	CHECKED	DATE
mm	2 : 1	6	DIS-E-00006884	MT. YASUDA	KI. KAGOTANI	20210929

APPROVED	CHECKED	DESIGNED	DRAWN	DRAWING NO.	PART NO.	CODE NO.
RI. TAKAYASU	KI. NAGANUMA	TS. SAKAIZAWA	TS. SAKAIZAWA	EDC-129431-00-00	IX40G-A-10S-CV(7.0)	CL0251-0022-0-00

Jun.1.2026 Copyright 2026 HIROSE ELECTRIC CO., LTD. All Rights Reserved.
 In case of consideration for using Automotive equipment / device which demand high reliability, kindly contact our sales window correspondents.



Product Structure



HRS	DRAWING NO.	EDC-129431-00-00	5/2
	PART NO.	IX40G-A-10S-CV(7.0)	
	CODE NO.	CL0251-0022-0-00	