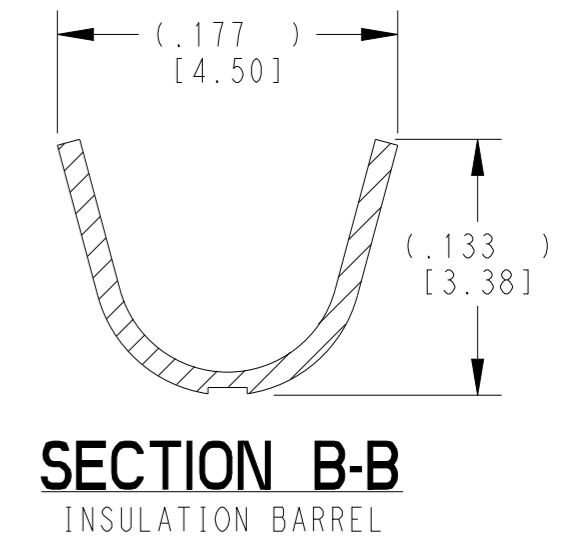
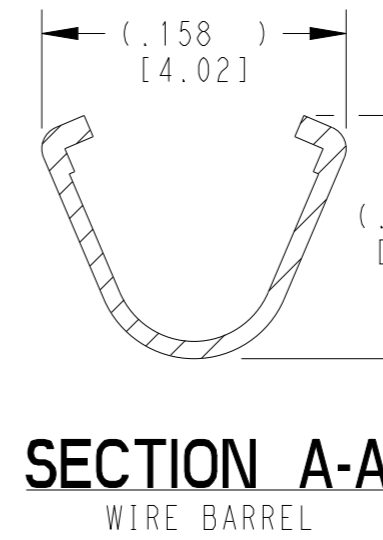
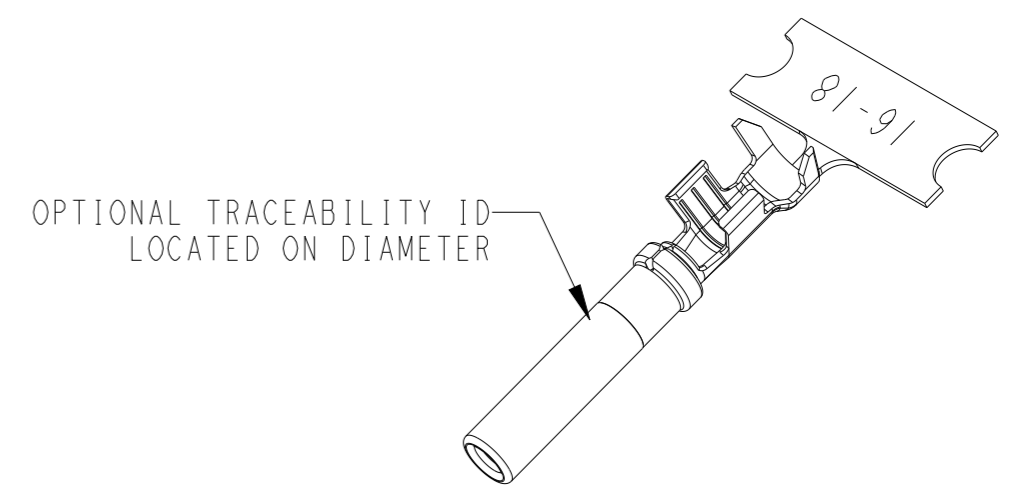
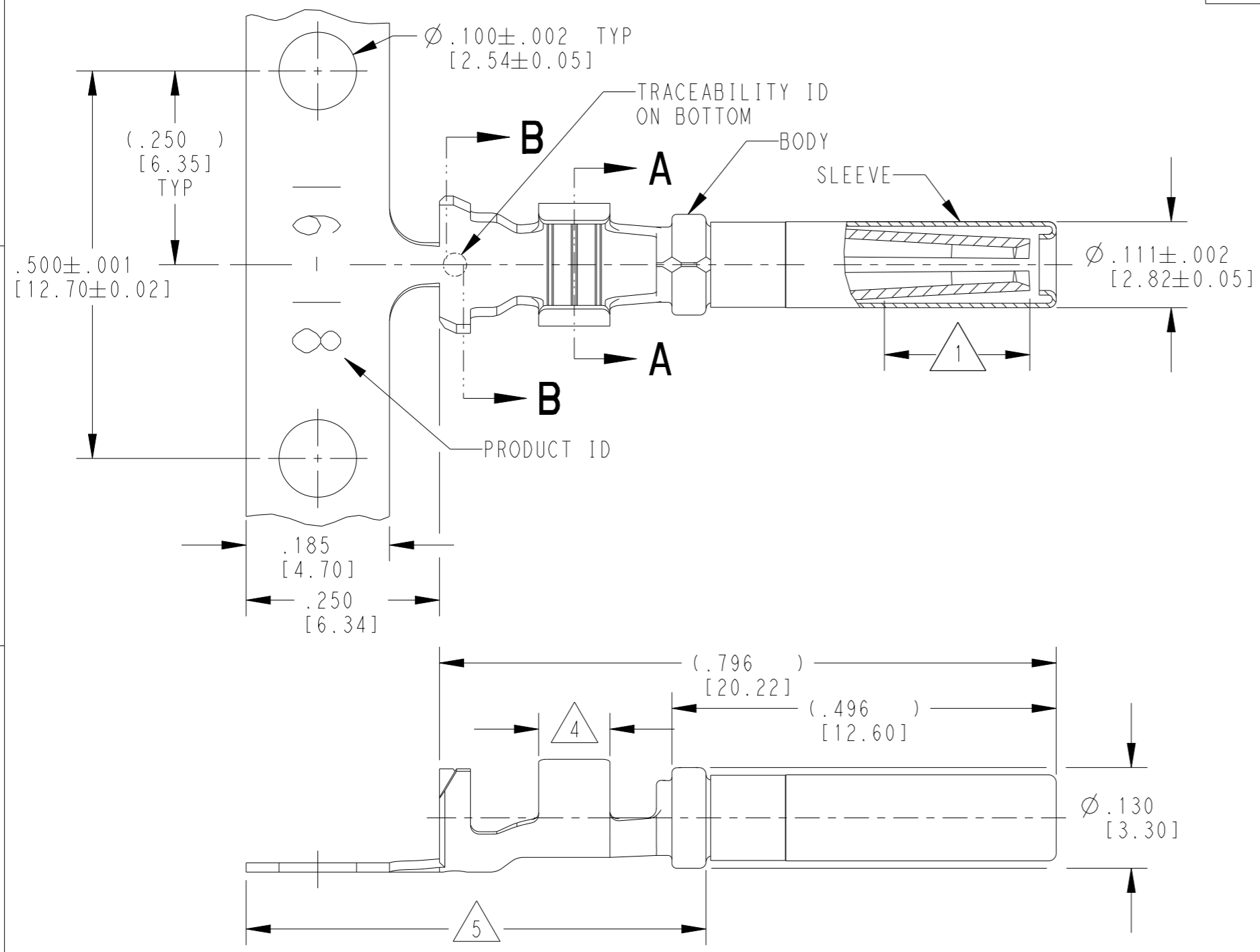


THIS DRAWING IS UNPUBLISHED. RELEASED FOR PUBLICATION 2015
 © COPYRIGHT 1999 BY TE CONNECTIVITY ALL RIGHTS RESERVED.

LOC	DIST	REVISIONS			
P	LTR	DESCRIPTION	DATE	DWN	APVD
	K	REVISED PER PCN E-20-008101	12JUN2020	DM	DM
	K1	REVISED PER PCN-22-157823	12OCT2022	SP	DM
	K2	REVISED PER PCN-25-234736	06FEB2025	GB	DM
	L	REVISED PER PCN-25-253652	14AUG2025	RT	DM



5 TIN PLATING MAY BE IN THIS REGION.

4 TIN PLATED REGION.

3 MATERIAL:
 BODY: .012 [0.30] THICK COPPER ALLOY
 SLEEVE: STAINLESS STEEL

2. WIRE RANGE: 18 AWG TO 14 AWG [0.75-2.0 mm²]
 INSULATION RANGE: ϕ .075-.140 [ϕ 1.91-3.56]

1 GOLD PLATED REGION.

NOTES: UNLESS OTHERWISE SPECIFIED

TE INTERNAL PN	DEUTSCH PN	REV	PLATING
1062-16-0122	1062-16-0122	L	Ni/Cu overall, Sn/Ni/Cu Wire Barrel
1062-16-0144	1062-16-0144	M	Selective Au, Ni overall, Sn/Ni Wire Barrel
1062-16-0177	1062-16-0177	L	Sn/Ni/Cu overall

THIS DRAWING IS A CONTROLLED DOCUMENT.		DWN M. BLUM 03NOV1999	TE Connectivity			
DIMENSIONS: INCHES [mm]		CHK A. ROLINSKI 08DEC2000				
TOLERANCES UNLESS OTHERWISE SPECIFIED:		APVD R. REED 08DEC2000	NAME SOCKET, STAMPED CONTACT SIZE 16 14-18 AWG, .075-.140 INS			
0 PLC ± 1 PLC ± 2 PLC ± 3 PLC ±.025 [0.64] 4 PLC ± ANGLES ±		PRODUCT SPEC 108-151000	SIZE A3	CAGE CODE 4AFU8	DRAWING NO 1062-16-01XX	RESTRICTED TO -
MATERIAL 3		APPLICATION SPEC 114-151000	SCALE 6:1		SHEET 1 OF 1	REV L
FINISH SEE TABLE		WEIGHT 0.43 g	Customer Drawing			