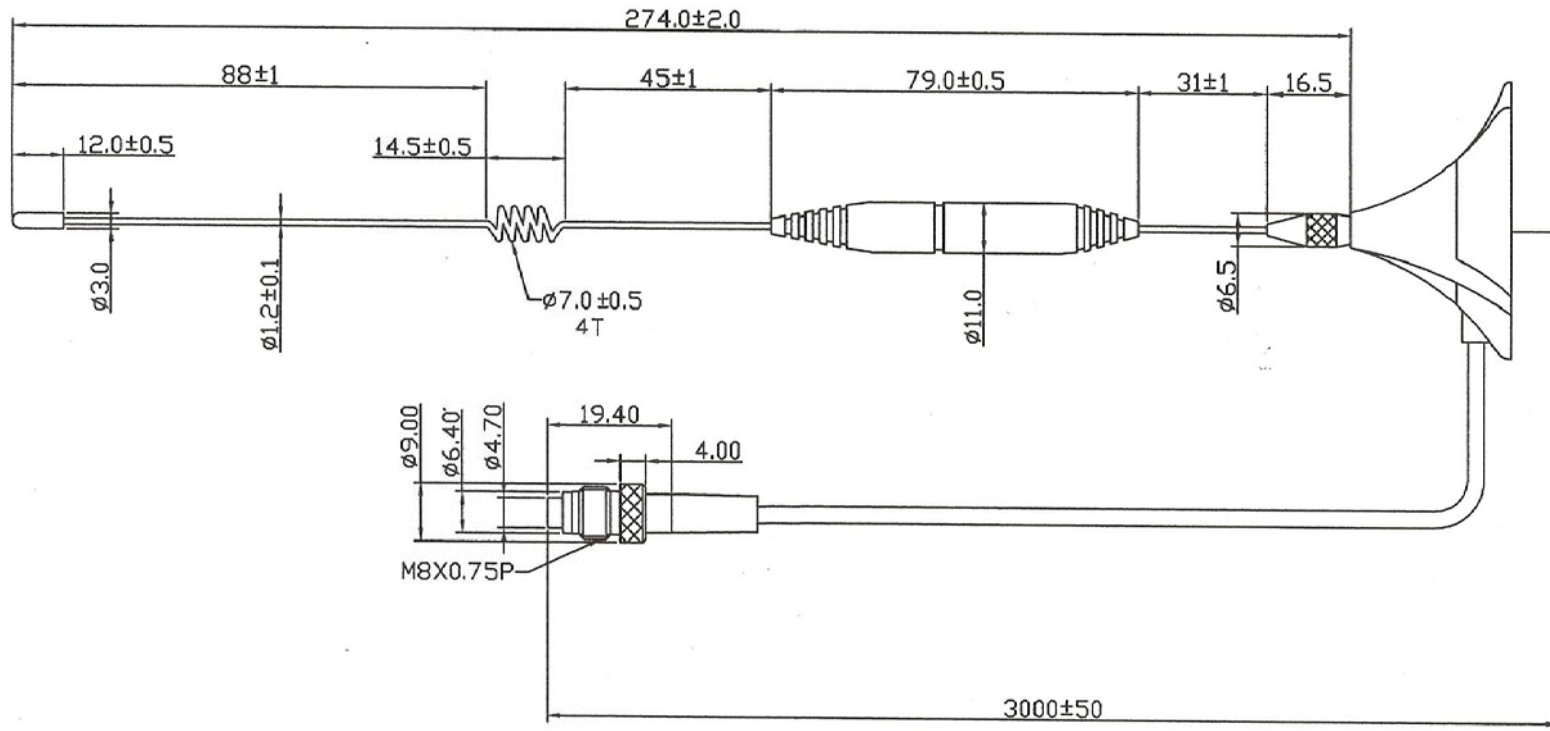


**RoHS COMPLIANT**

REVISIONS

ZONE	REV	DESCRIPTION	DATE	APPROVED
	A	INITIAL DESIGN	2010/01/13	



P/N: GSM MG4F

TITLE GSM 900 / 1800 MHz magnetic antenna  
to FME ST Jack RG174

DWG NO.	CUSTOMER P/N	UNIT mm	REV. A
---------	--------------	------------	-----------

GENERAL TOLERANCES

.X	±0.2
.XX	±0.2
.XXX	±0.2
ANGLES	±3°

(UNLESS OTHERWISE SPECIFIED)

SCALE 1 : 1	APPROVALS	DATE
SIZE A4	DRAWN BY:	2010/01/13
	CHK'D BY:	2010/01/13
SHEET 1 of 1	APP'D BY:	2010/01/13

NO	DESCRIPTION	Q'TY	DRAWN NO.
03	FME Straight Jack	1	
02	RG174 coaxial cable	1	
01	Magnetic Antenna	1	