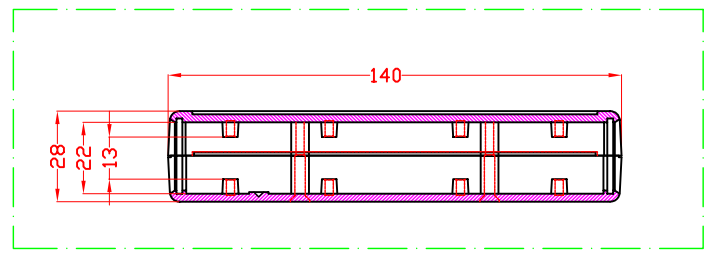
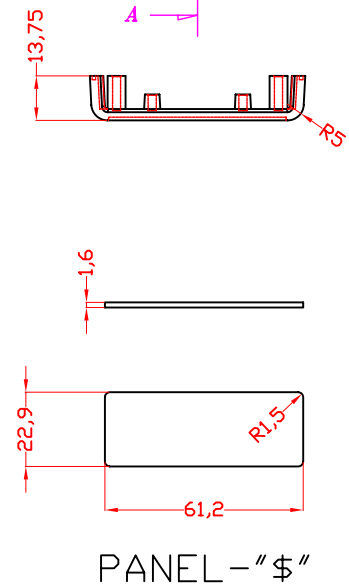
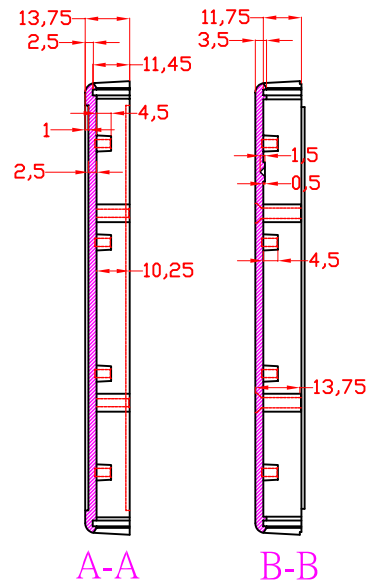
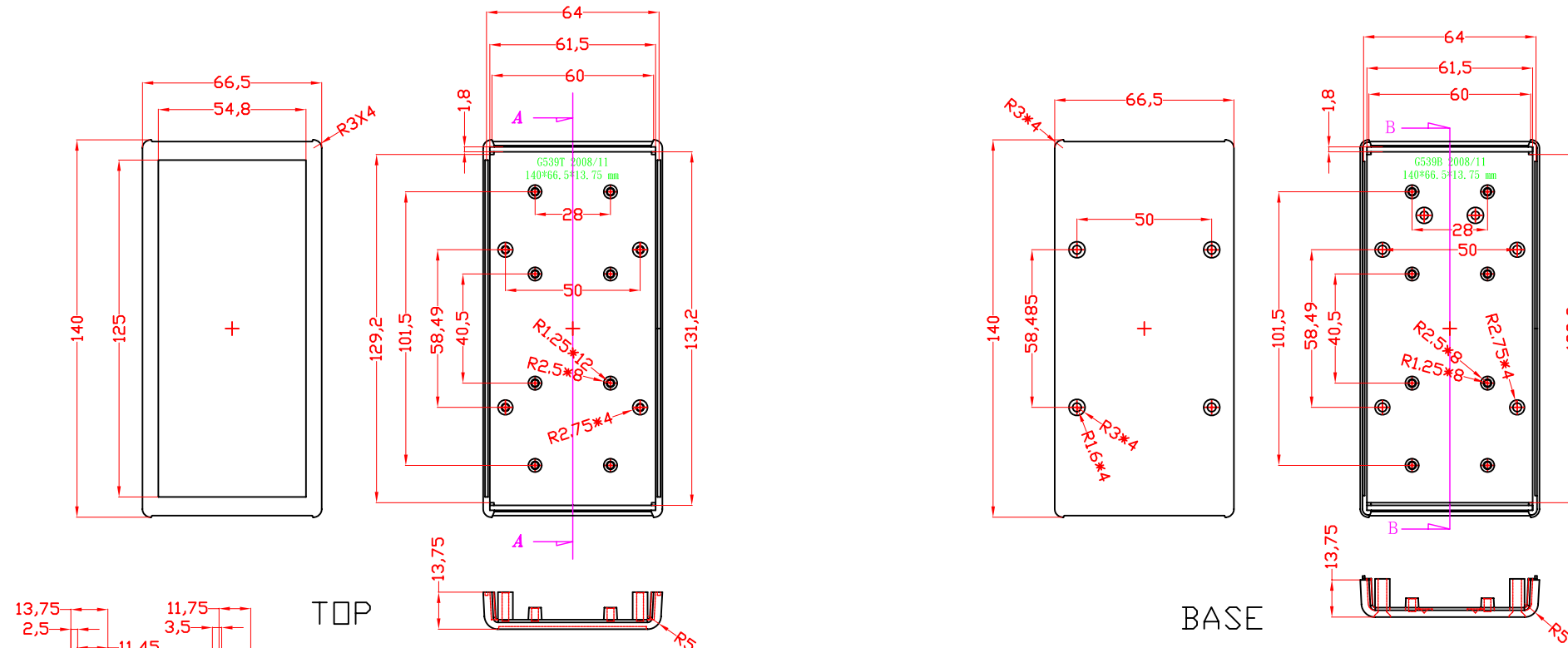


G539B-2\$;G539G-2\$



According to ISO 2768-m	
Measuring DIM=L	Tolerance
0.5 < L ≤ 3.0 mm	±0.1 mm
3.0 < L ≤ 6.0 mm	±0.1 mm
6.0 < L ≤ 30.0 mm	±0.2 mm
30.0 < L ≤ 120.0 mm	±0.3 mm
120.0 < L ≤ 400.0 mm	±0.5 mm
400.0 < L ≤ 1000.0 mm	±0.8 mm

ITEM NO	DESCRIPTION
G539B-2\$	BLACK(G539T+G539B)*1+BLACK(PANEL-"\$")*2+M3*21 mm BLACK SCREWS *4
G539G-2\$	GRAY(G539T+G539B)*1+GRAY(PANEL-"\$")*2+M3*21 mm BLACK SCREWS *4

宜又實業有限公司 GAINTA INDUSTRIES LTD.	設計 DES'D BY	繪圖 DRA'D BY	核圖 CHK'D BY	比例 SCALE	日期 DATE	材質 MATE.	圖名 TITLE:	圖號 DWG NO.:	圖號 REVISID	說明 DESCRIPTION
		JACKY			2009/1/7	ABS	G539B-2\$;G539G-2\$		A	