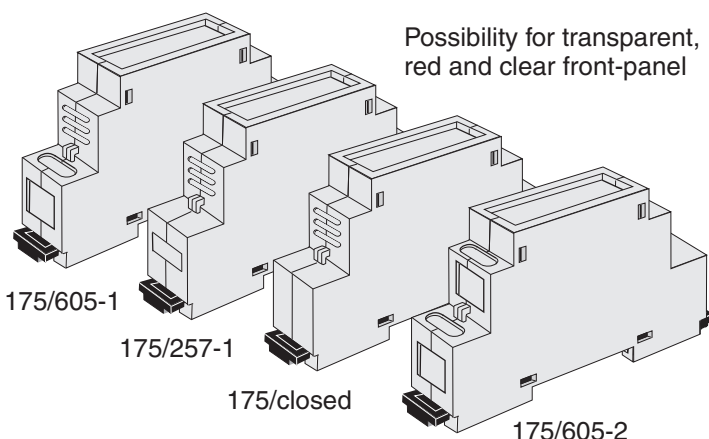


1 MODULE ENCLOSURE FOR M36 DIN-RAIL

SERIES 175



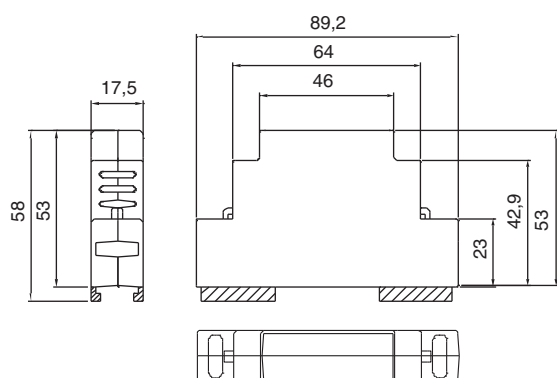
Module enclosure for M36 DIN-rail. Series 175 is, if requested, available in several colours and with custom made holes in the front. PCB, customized label and packing is available. Possibility for both base and top PCB.

TECHNICAL DATA:

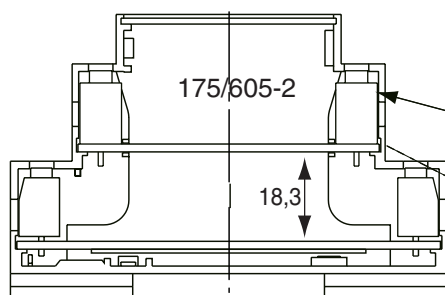
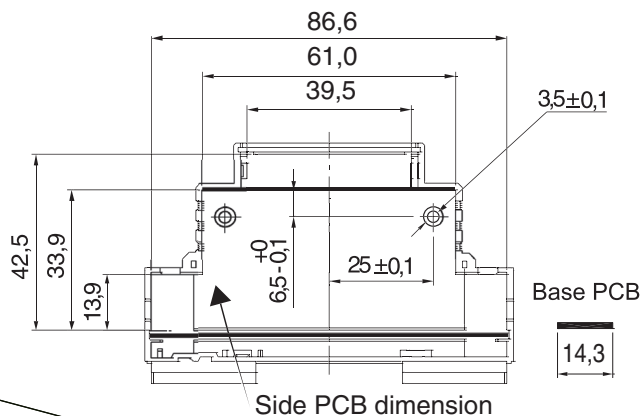
TOP PART:

Material: PC (ABS on request)
 Colour: Grey (RAL 7035)
 Max. temperature: 100°C
 Width: 175 mm
 Self-extinguishing: Acc. to UL94-V0
 Max. wire dia.: 2 x 2.5 mm²
 Terminals: 3 x (2 or 4) fixed or plug
 Mounting: DIN-rail (EN50022).

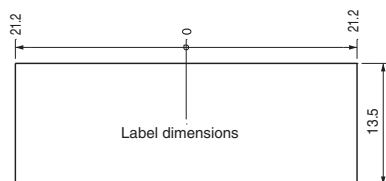
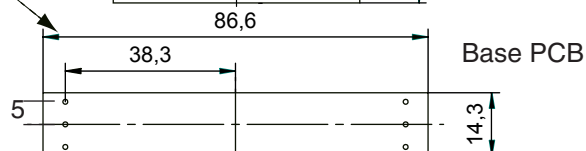
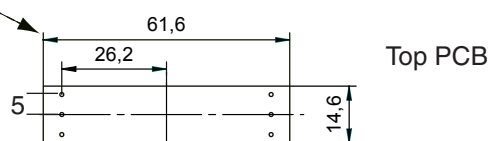
NEW! Possibility for up to 12 terminals



Side PCB dimension



605 Terminal or
Lumberg Terminal



TYPE 175/605	ORDER CODE
175/605-1 complete: 2 shells + 2 clips + 1 front cover + 2 screws	p/n 4969001750
175/605-2 complete	p/n 4969021752
175/257-1 complete	p/n 4969001757
175/ closed - complete	p/n 4969001755
Packing for 175	p/n 2068175000
Terminal for 175 605/3 fixed	p/n 3950143108

● All measurements are in mm.