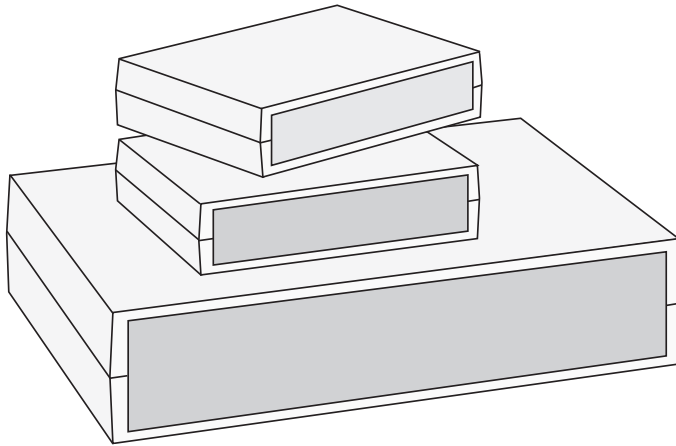


# DESK TOP ENCLOSURES

## SERIES 2000



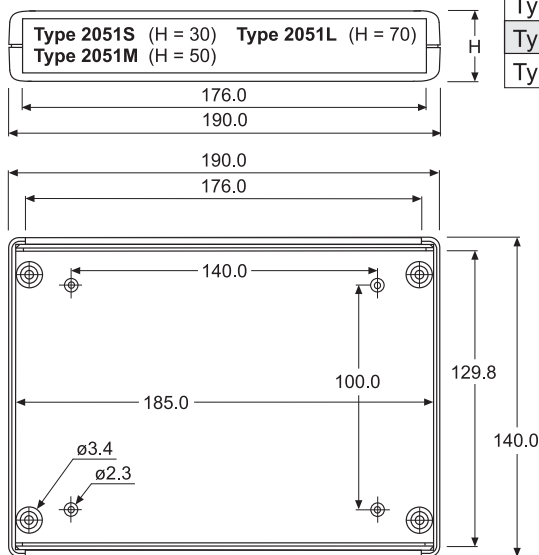
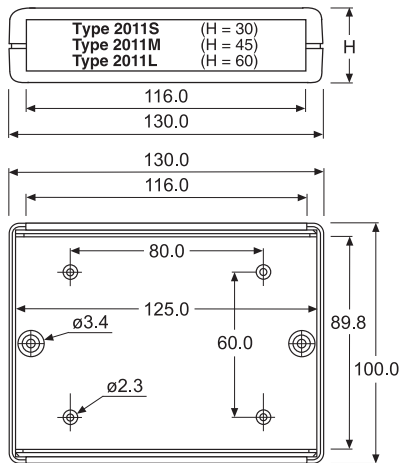
### SERIES 2000

Four part enclosure that includes top, base, front panel and rear panel. This series is designed for peripheral equipment of computers, electromedical devices, laboratory equipment, measuring devices, control equipment and other types of electronics.

We offer custom design to your own specification, including drilling, cutting, painting, punching, labelling, silk screen printing, etc. Is supplied in material with UL94-V0 specifications. Aluminium or dark red (i.r.) panels can alternatively be delivered. Upon request available with ventilation slots.

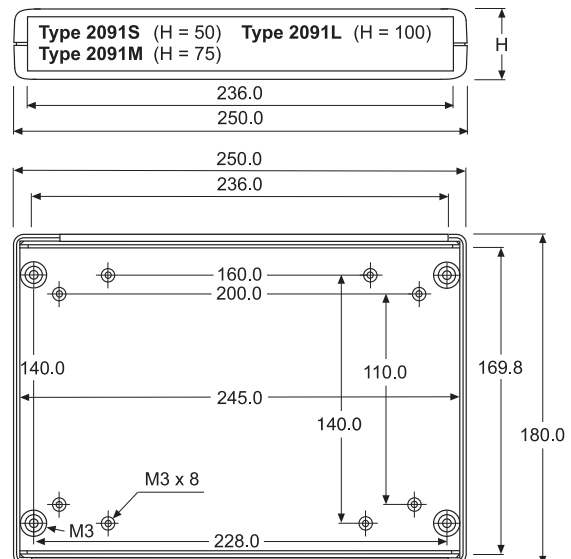
### TECHNICAL DATA:

|                      |                      |
|----------------------|----------------------|
| Material:            | ABS                  |
| Colour, top part:    | Grey                 |
| Colour, base part:   | Grey                 |
| Front + rear panels: | Grey(aluminium/i.r.) |
| Temperatur range:    | -40 - +75° C         |
| Self-extinguishing:  | UL94-V0              |
| Sealing:             | IP43                 |



| TYPE 2000:                       | ORDER CODE:    | Ext. dim.: L x W x H |
|----------------------------------|----------------|----------------------|
| Type 2011S                       | p/n 4969832011 | 130 x 100 x 30 mm    |
| Type 2011M                       | p/n 4969842011 | 130 x 100 x 45 mm    |
| Type 2011L (Incl. 4 rubber feet) | p/n 4969852011 | 130 x 100 x 60 mm    |
| Type 2051S                       | p/n 4969832051 | 190 x 140 x 30 mm    |
| Type 2051M                       | p/n 4969842051 | 190 x 140 x 50 mm    |
| Type 2051L (Incl. 4 rubber feet) | p/n 4969852051 | 190 x 140 x 70 mm    |
| Type 2091S (Incl. 4 rubber feet) | p/n 4969832091 | 250 x 180 x 50 mm    |
| Type 2091M (Incl. 4 rubber feet) | p/n 4969842091 | 250 x 180 x 75 mm    |
| Type 2091L (Incl. 4 rubber feet) | p/n 4969852091 | 250 x 180 x 100 mm   |

Front feet stands are available upon request.



PCB is mounted by means of selftapping screws. All 9 types are assembled with M3 screws into threaded bushings

● All measurements are in mm.