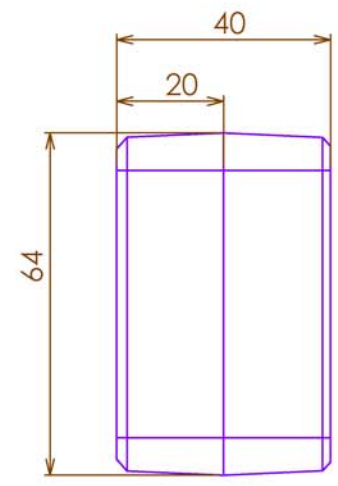
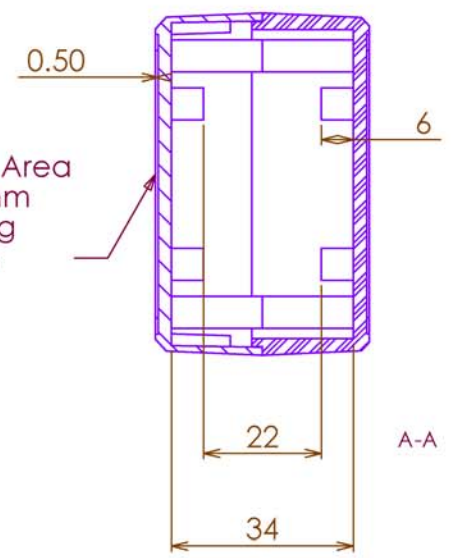


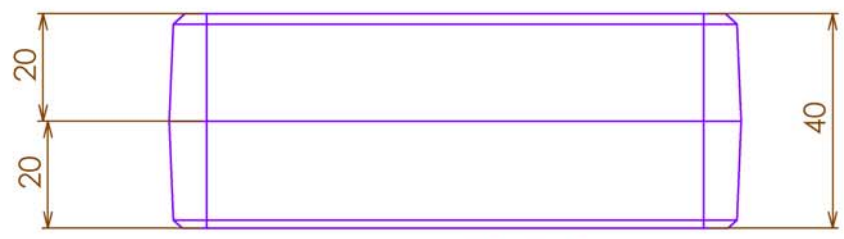
TOP VIEW



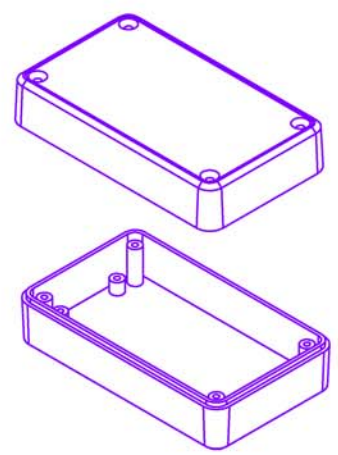
RIGHT VIEW



Recessed Area
56 x 100 mm
for labeling
both sides

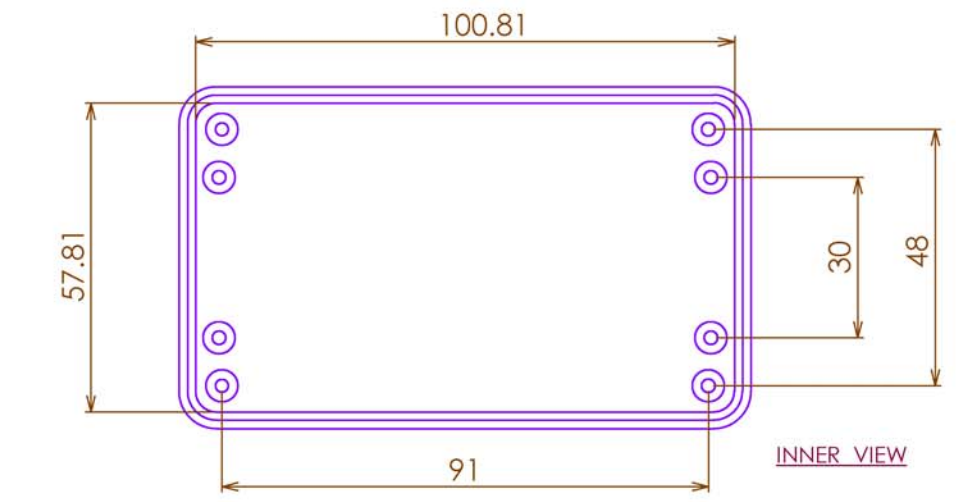


FRONT VIEW



BLOW VIEW

6015 Enclosure
 Size: 105 x 65 x 40 mm.
 Material: Flame Retardant Resin
 ABS UL-94V0
 Supply:
 1, Fixing screws x 4 pcs.
 2, PCB mounting screw x 4 pcs



		1998, 8, 10	
Bernic		6015 dimension drawing	
		105x65x40 mm, ABS	V1.1 1 / 1