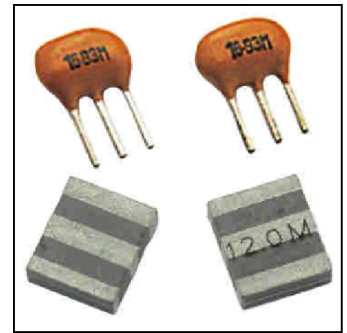


CERAMIC RESONATOR

ZTT Series, With Built-in Capacitor, DIP AND SMD



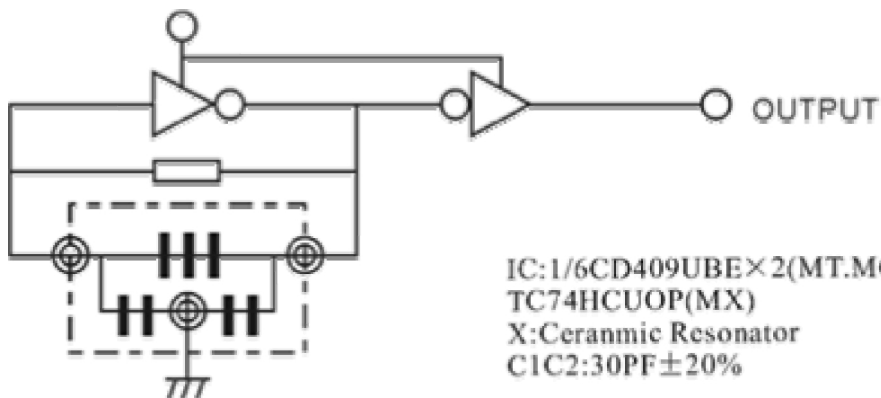
ELECTRICAL CHARACTERISTICS FOR DIP TYPE

Frequency range	-	1.80 , 13 Mhz
Frequency Accuracy(25 C°)	-	+/-0.5 %
Frequency Stability	-	+/-0.3 %
Operating Temperature	-	-20 , +80 C°
Aging for ten years	-	+/-0.3 %

ELECTRICAL CHARACTERISTICS FOR CHIP TYPE

Frequency range	-	1.80 , 13 Mhz
Frequency Accuracy(25 C°)	-	+/-0.5 %
Frequency Stability	-	+/-0.3 %
Operating Temperature	-	-20 , +80 C°
Aging for ten years	-	+/-0.3 %

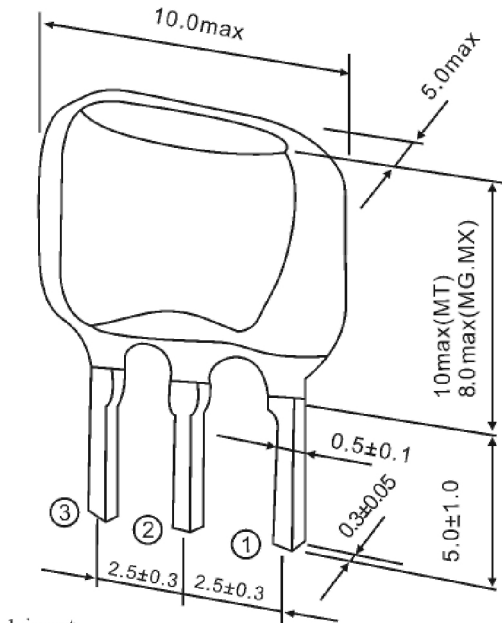
TEST CIRCUIT FOR MOSIC



CERAMIC RESONATOR

CRMX Series, With Built-in Capacitor, DIP AND SMD

DIMENSIONS (MM) ZTT...Series



- 1.input
- 2.ground
- 3.output

