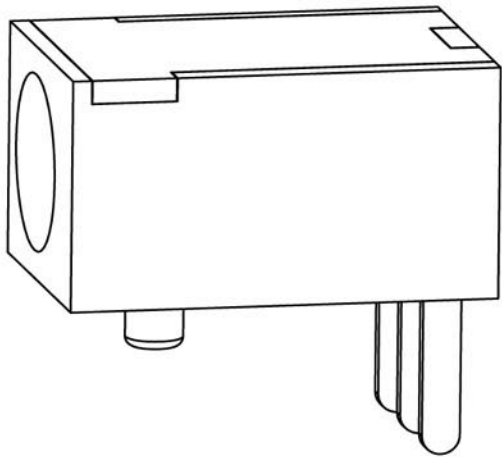


T:1.6 Dimensions of PC board holes
Tolerance : ± 0.05 (Printed-top view)



UNLESS OTHERWISE SPECIFIED, TOLERANCE ON DECIMAL: ± 0.3

LEAD FREE

PIN	SCHEMATIC
	1
$\phi 1.3$	3
	2

LTR	PART NAME	QTY	MATERIAL	REMARK
5	COVER	1	PA66	UL-94HB(BLACK)
4	HOUSING	1	PA66	UL-94HB(BLACK)
3	CURVE PIECE	1	C2680 t=0.30	Ag PLATED
2	SPRING	1	SUS301 t=0.20	Ag PLATED
1	PIN	1	C2680 t=0.30	Ag PLATED

Rev.	Date	Description	P/N	Remark
Title			Dwg. No.	
Date			Rev. A	RoHS <input checked="" type="checkbox"/>
Unless otherwise specified, demensions are in millimeters.			File	Drw. b29 App. b29