


Country of Origin : China
 Operating Temperature : 0~40 [°C]
 Dimension : 64 x 48.5 x 25.5 [mm]
 Efficiency level (ErP) : 
 Approvals / Marks :



GREEN MODE



Features:

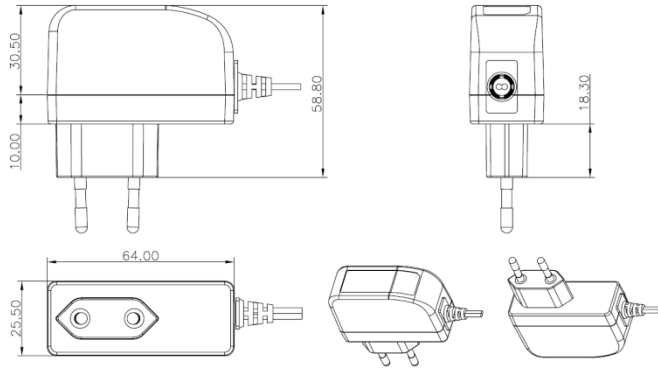
Overload, over voltage & short protection.		PSU housing ready for use in country :
Wide range Input (90 ~ 264) VAC / (47 ~ 63) Hz.		USA/Japan/ (type W2) Europe (type W2E)
Wall-mount power supply, single output.		Australia (type W2A) Korea (type W2K)
For I.T.E. use only + RoHS conform.		UK (type W3U) China (type W2C)

Specification:

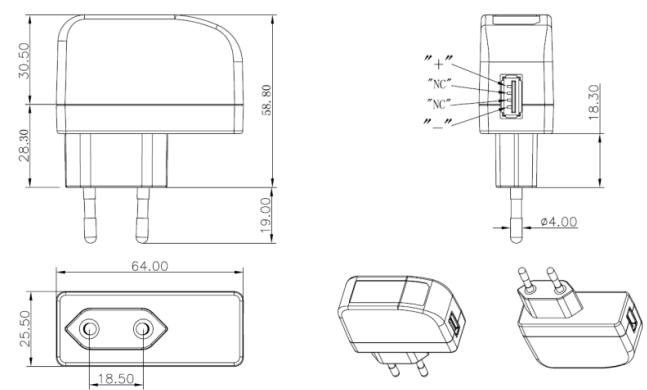
		OUTPUT								
	Model	Voltage DC [V]	Loading [A]	Tol. [%]	OCP [A]	OVP [V]	Efficiency [%]	Max. Power [W]	Ripple & Noise [mV] p-p	Connector UL approval [mm]
ErP V.	SYS1421-0605-W2E	5	0~1.2	±5	1.5~3.5	12±4	>69.53	6	150	2.1x5.5x11
	SYS1421-0605-W2E	5	0~1.2	±5	1.3~3.0	12±4	>68.10	6	150	mini USB
	SYS1421-0605-W2E	5	0~1.2	±5	1.3~3.0	12±4	>66.49	6	150	micro USB
	SYS1421-0605-W2E	5	0~1.2	±5	0.75~2	12±4	>62.97	6	150	USB inlet
	SYS1421-0612-W2E	12	0~0.5	±5	0.6~2.0	17±4	>73.41	6	150	2.1x5.5x11
OEM Production:	This model is certified for Uout= 5V & Pout=(2.5 or 4 or 5 or 6)W and Uout=12V/Pout=6W									
OUTPUT	Turn on delay	5000 ms max @ AC low line input@output full load								
	Hold up time	8ms min @ AC nominal input@ output full load (> half cycle)								
	Efficiency (Normal)	In the table above minimum average efficiency in active mode(Meet EuP2)								
	Transient response (dv, tmax)	0.4V dv max @ AC nominal input loading from 20% load to 80% load								
	Power out. Limit	6ms tmax Dynamic rise time 10uS max, duty 40mS max, Dynamic load step is slew rate of 0.5A/uS								
	Burn in test	Peak 7W for model- 0605 Full load 2 Hours before testing								
INPUT	Voltage	(90 ~ 264)VAC								
	Frequency	(47 ~ 63) Hz								
	Current	0.5A rms @ AC low line input and DC output full load								
	Inrush Surge Current (cold start)	30/60A max @ power supply cold start, ambient temperature 25°C @115Vac / 230Vac nominal AC input.								
	Leakage current	0.25 mA Max.								
	Power consumption	0.3W rms max. At AC nominal input @ output min load								
PROTECTION	Over Current /Short protection	The power supply will self-protect any output to ground, and auto recovery when abnormal circuit faults remove. An output short circuit is defined as any output impedance of less than 0.1 ohms. [OCP]								
	Over Voltage	The power supply will not be auto recovered when faults remove >>Voltage limit<< [OVP]								
	Input protection	1A Fuse or 10R2W The power supply shall be protected against power line surges and any abnormal condition.								
	No load protection	The power supply is provided with no load operation to prevent the power supply and system from damage.								
	Protection class	II.								
OTHERS	Dielectric Strength (Hi-pot)	Primary to Secondary: 3000VAC / 10mA / 60s								
	M.T.B.F	50K hours full rated load operation at 25 °C , according to the MIL-HDBK-217F.								
	Cable length / type	Standard 2468#24, 5ft for USB products round cable 1830mm (6feet) or depends on customer requirements.								
	PLD (power line disturbance)	LINE POWER SURGE LINE VOLTAGE SAG – more information will be provide on request								
	Cooling method	By natural air								
	Housing material	-								
ENVIRONMENT	Temperature	Operating: (0 ~ 40)°C / Storage: (-20 ~ 85)°C								
	Humidity	Operating: 8% ~ 90% RH / Storage: 5% ~ 95% RH non condensing								
SAFETY	CE TUV/GS CB UL cUL FCC BSMI PSE VCCI C-TICK SAA T-licence									
EMC	EMI	EN 55022 Class B (2006)+ A1(2007) EN 61000-3-2 (2006) + A1(2009) + A2 Class A(2009)/EN 61000-3-3 (2008)								
	EMS	EN55024(1998)+A1(2001)+A2(2003) IEC 61000-4-2 (2008) IEC 61000-4-3 (2006) + A1(2007) + A2(2010) IEC 61000-4-4 (2004) + A1(2010) IEC 61000-4-5 (2005) IEC 61000-4-6 (2008) IEC 61000-4-8 (2009) IEC 61000-4-11 (2004)								
WEIGHT	1pc	N.W.: 79g G.W.: 95g								
PACKING	Box	0.435(L) x 0.370(W) x 0.175(H) [m]								
		100 pcs / 1box G.W.: 10.5kg/box								

Mechanical case specification:

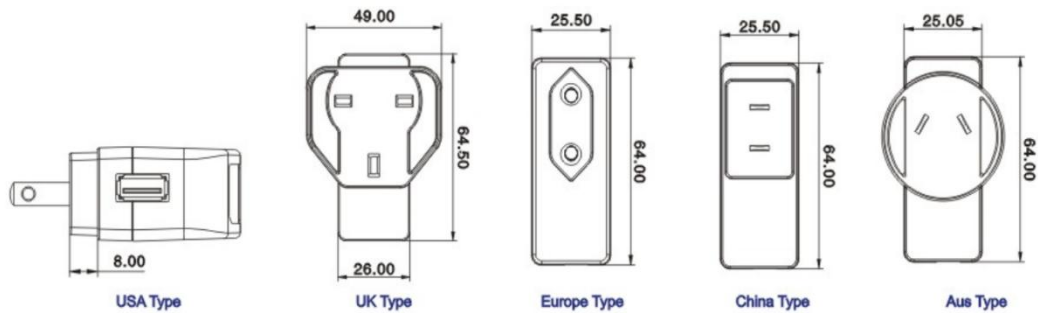
SYS1421-series (EU)



SYS1421-series (EU) / USB inlet

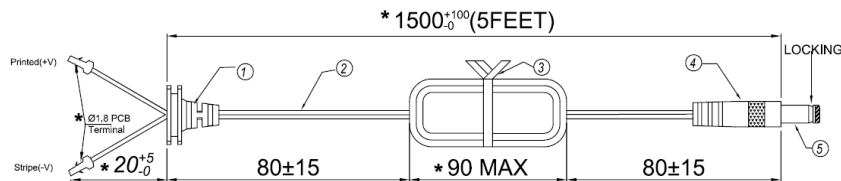


Mechanical specification (country housing):

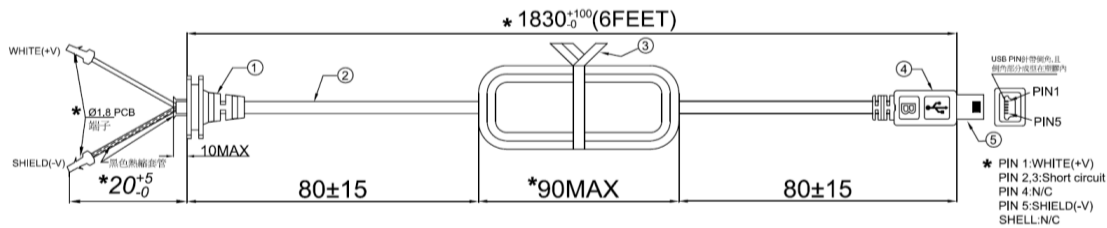


Cable specification:

a) 2.1*5.5*11 (2468#24*2C / 5FT)



b) mini USB (1185#22*1C+SHIELD / 6FT)



c) micro USB (1185#22*1C+SHIELD / 6FT)

