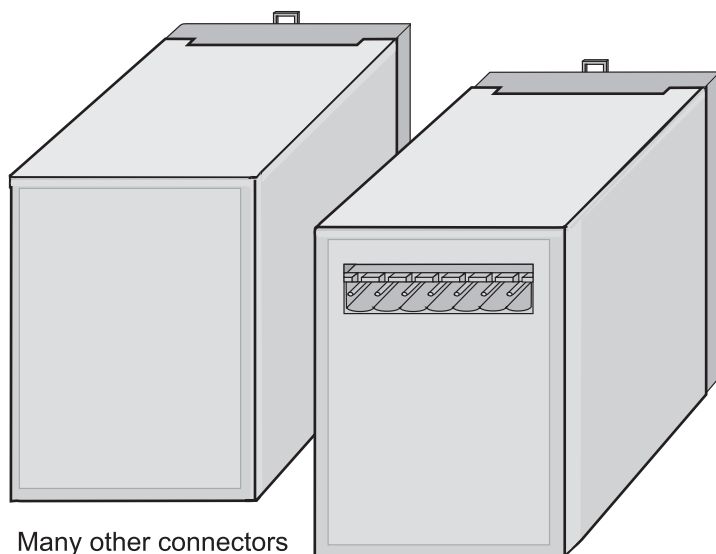


# DIN-RAIL MOUNTED ENCLOSURE

## SERIES 1470



Many other connectors and terminal configurations are available upon request.

A standard plugable terminal (like Phoenix or any other connector) is mounted with the other components to the PCB. The PCB is then slid into the box and the base is clicked on. The unit is ready. The wire part is then just plugged in.

Modular enclosure for M36 DIN-rail. Series 1470 is designed for automations equipment and can be used with plugable terminals, D-sub or other kind of connectors in the front. Holes in the front and sides are available according to customer wishes.

### TECHNICAL DATA:

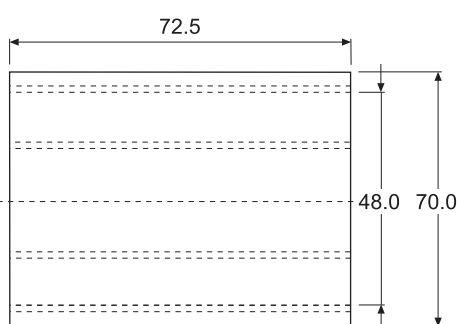
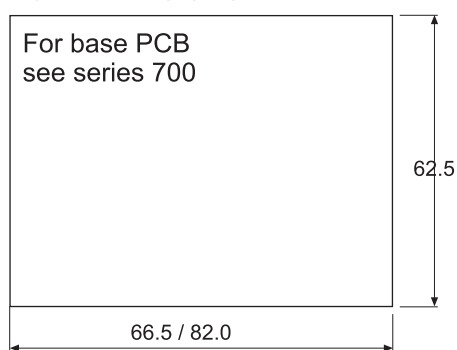
#### TOP PART:

Material:	Lexan 940
Colour:	Grey (RAL 7035)
Max. temperature:	100°C
Terminals:	2 x 8 plugable or D-sub
Width:	70.0 mm (4 modules)
Label measure:	65.4 x 80.6 mm
Self-extinguishing:	Acc. to UL94-V0

#### BASE PART:

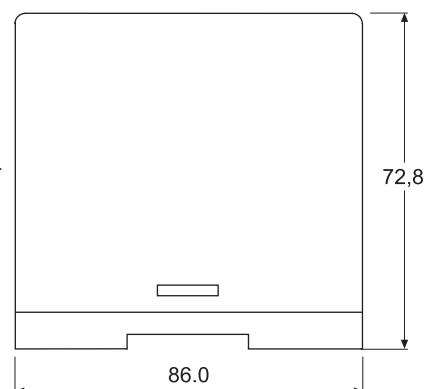
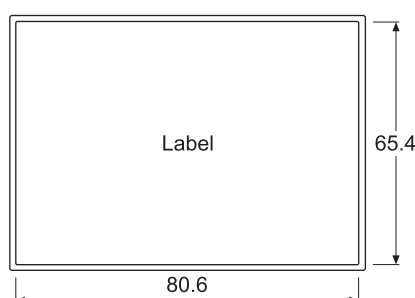
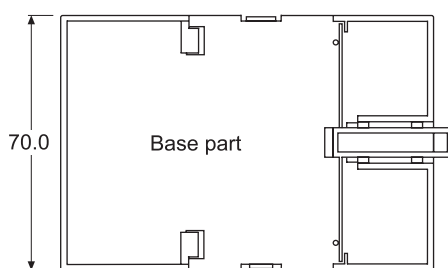
Material:	Noryl
Colour:	Black (RAL 7021)
Max. temperature:	100°C
Max. wire dia.:	2 x 2.5 mm <sup>2</sup>
Mounting:	DIN-rail (EN50022)
Self-extinguishing:	Acc. to UL94-V0

### PCB DIMENSIONS:



Advantages: Easy and quick/low cost assembly of the unit. No wires need to be soldered etc. Easy test of the unit. You take only the number of terminals you need - lower cost and no mismatch of the wire/installation possible. The connectors are world wide available from multiple sources.

TYPE 1470:	ORDER CODE:
Complete	p/n 4969014700
Top, grey	p/n 4969014701
Base part	p/n 4969002700
Clip	p/n 0669000604
Packing	p/n 2069147000
Terminal type 257/8, HO/A, PCB part	p/n 1155708580
Terminal type 256/8, wire part	p/n 1155608080



● All measurements are in mm.