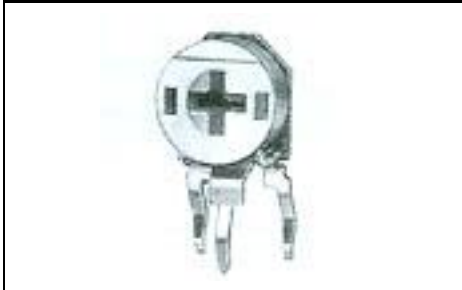




**6mm Ceramic Semi-Fixed Potentiometer**

**SH625MCR (T.K.)**



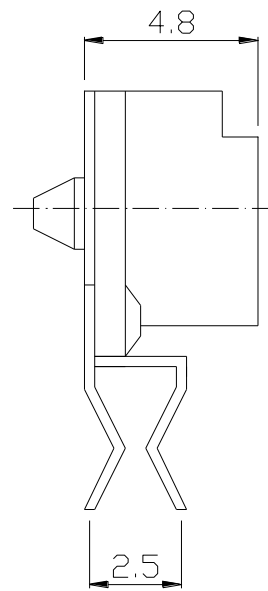
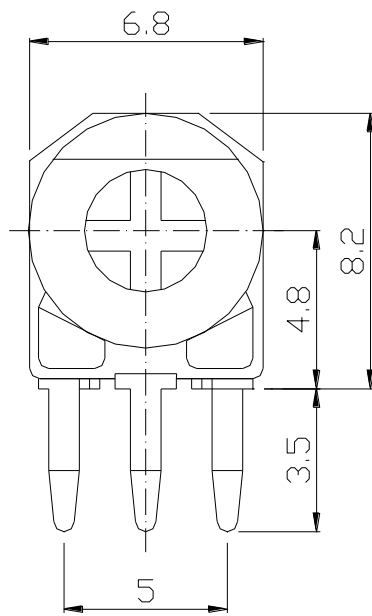
**Part Number**

**SH625MCR – 50K (T.K.)**

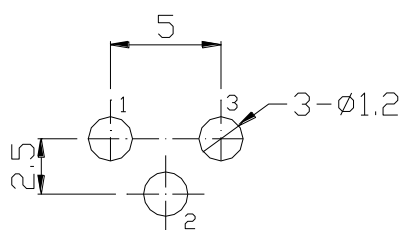
Resistance value

Ceramic

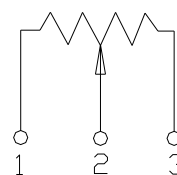
**Dimensions**



PCB LAYOUT



CIRCUIT



**6mm Ceramic Semi-Fixed Potentiometer****General**

<b>Operating temperature</b>	<b>-10°C ~ +70 °C</b>
<b>Soldering conditions</b>	<b>260±5°C Within 5 seconds</b>

**Electrical Characteristics**

<b>Total resistance</b>	<b>100Ω ~ 1MΩ</b>
<b>Resistance tolerance</b>	<b>±20%</b>
<b>Resistance taper</b>	<b>B</b>
<b>Residual resistance</b>	<b>R ≤ 500Ω : ≤ 10Ω max R &gt; 500Ω : Less than 2% of total resistance value</b>
<b>Rated power(W)</b>	<b>0.3W</b>
<b>Max. Operating voltage</b>	<b>DC 100V</b>
<b>Contact resistance variation</b>	<b>6% Max</b>

**Mechanical Characteristics**

<b>Total rotational angle</b>	<b>240°±20°</b>
<b>Rotational torque</b>	<b>30 ~ 300 gf.cm</b>
<b>Rotational stopper strength</b>	<b>0.3 Kgf-cm</b>
<b>Rotational life</b>	<b>50±5 Cycles.</b>