

## D1 Series

### Detect Switches

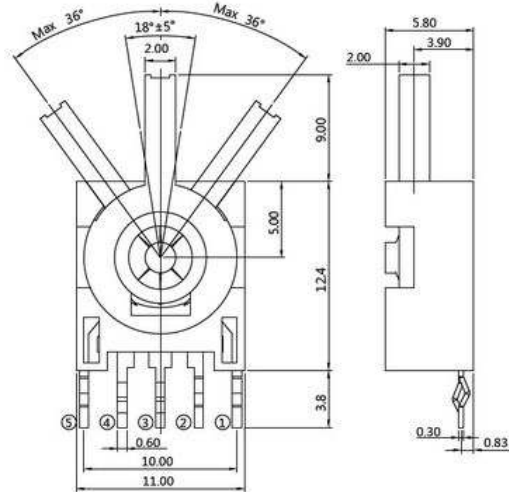


#### Ratings

0.1A 12VDC

#### Dimension :

Unless otherwise specified, a tolerance of  $\pm 0.4\text{mm}$  applies to all dimensions.



#### Specifications :

Operating Frequency (electrical).....Max. 60 operations / min

Contact Resistance (initial).....100m  $\Omega$  (Max.)

Dielectric Strength (50-60Hz).....100VAC RMS

Storage Temperature : -40°C ... +80°C

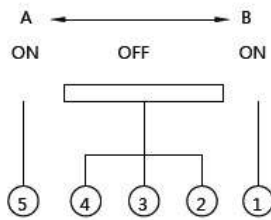
Storage Humidity.....At 40°C,Max. 85% RH (Max.)

Service Life (electrical).....Min. 50000 operations

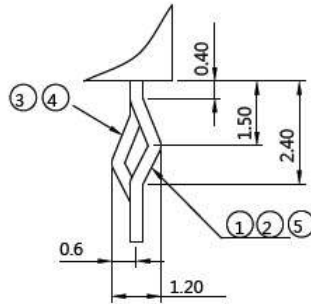
#### Application :

CD ROM,DVD ROM,COMBO,CD RW

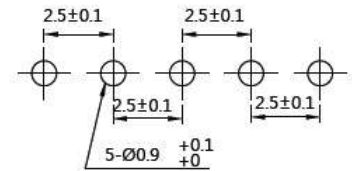
#### Contact Configuration :



#### Terminal Types :



#### Mounting Holes :



D1	-	P1	S	-	1	F	-	Z
SERIES PREFIX		RATING CURRENT	OPERATING FORCE		LEVER LENGTH	TERMINAL TYPE		ROHS CODE
		P1 0.1A 12VDC	S Max. 70gf		1 7mm 2 9mm 3 11mm	F PCB TERMINAL		