

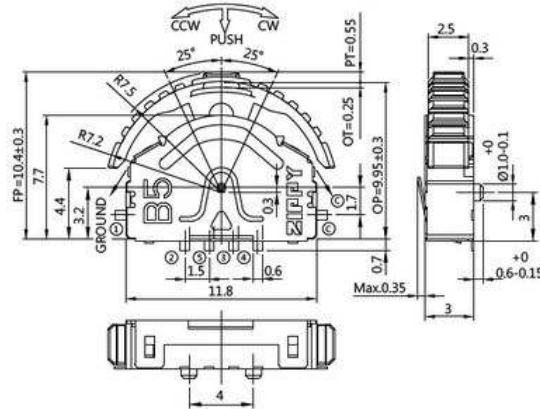
## B5 Series Slide Switches



**Ratings:**  
10mA 5VDC

**Dimension:**

Unless otherwise specified, a tolerance of  $\pm 0.4\text{mm}$  applies to all dimensions.



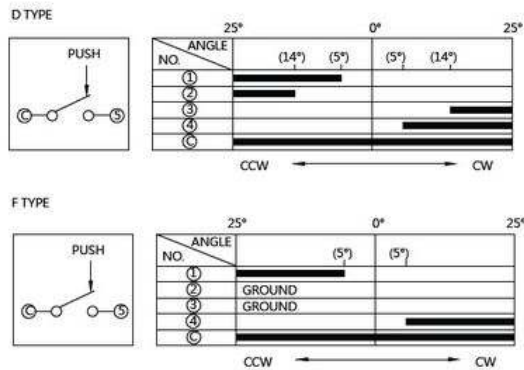
**Specifications:**

- Operating Frequency (electrical).....20 operations / min
- Contact Resistance (initial).....500m  $\Omega$  (Max.)
- Storage Temperature.....-25°C to 85°C
- Storage Humidity.....At 40°C, Max. 95% RH (Max.)
- Service Life (electrical).....Min. 100000 operations

**Application:**

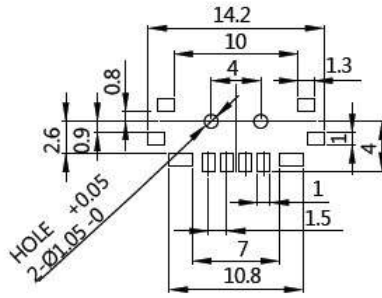
PDA, MP3 Player, Mobile Phone

**Contact Configuration:**

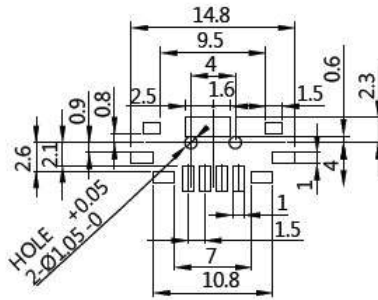


**Mounting Holes :**

**D TYPE**

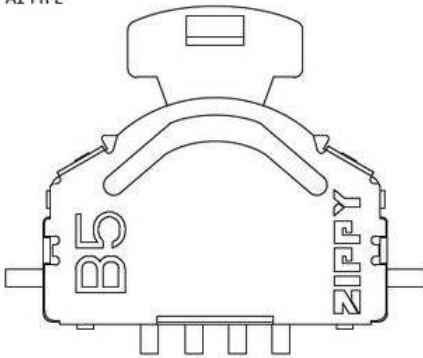


**F TYPE**

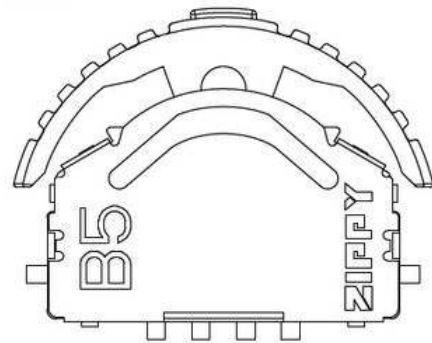


**Actuator Types :**

**A1 TYPE**



**P5 TYPE**



**Ordering Information :**

