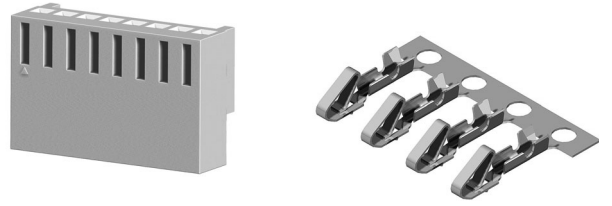


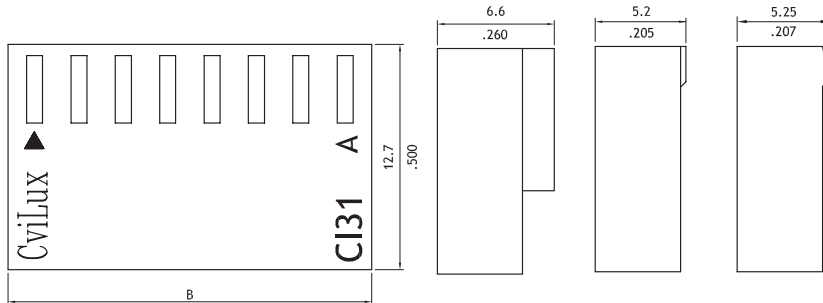
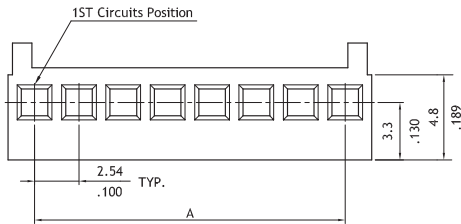
CI31 Series 2.54mm(.100") Wire to Board Connectors

- With locking tab
- Mate with CI31, CH31, CH83 header
- Can be used CI31 crimp clip terminal
- Insulator: Nylon 66 UL 94V-2 , Color Ivory
- Terminal: Tin plated Brass or Phosphor Bronze

RoHS Compliant

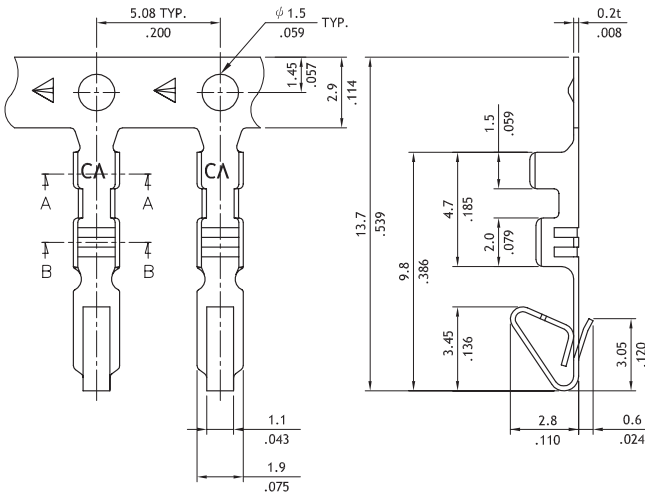


UL **UL** E159616

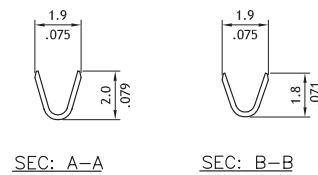


P/N: CI31**50000
P/N: CI31**SNP00
P/N: CI31**500R0

Circuits	Dimension	
	A	B
2	2.54(.100)	5.6(.220)
3	5.08(.200)	8.1(.319)
4	7.62(.300)	10.7(.421)
5	10.16(.400)	13.2(.520)
6	12.70(.500)	15.8(.622)
7	15.24(.600)	18.3(.720)
8	17.78(.700)	20.8(.819)
9	20.32(.800)	23.4(.921)
10	22.86(.900)	25.9(1.020)
11	25.40(1.000)	28.5(1.122)
12	27.94(1.100)	31.0(1.220)
13	30.48(1.200)	33.5(1.319)
14	33.02(1.300)	36.1(1.421)
15	35.56(1.400)	38.6(1.520)
16	38.10(1.500)	41.2(1.622)
17	40.64(1.600)	43.7(1.720)
18	43.18(1.700)	46.2(1.819)
19	45.72(1.800)	48.8(1.921)
20	48.26(1.900)	51.3(2.020)



Wire Range	Insulation Diameter	Reel Qty
AWG #22-#28	1.5 (.059) MAX.	10,000 PCS.



Ordering Code

1 **2** **3** **4**
CI31 20 S 0000

- ① Series No.
- ② No. of Circuits: 02 to 20
- ③ S= housing
- ④ Other options:
0000= With Polarizing Ribs (Type 1)
00R0= With Polarizing Ribs (Type 2)
NP00= Without Polarizing Ribs
*Special options consult manufacturer

1 **2** **3** **4** **5** **6**
CI31 T02 1 B E 0

- ① Series No.
- ② Type: T02= AWG #22~#28
- ③ Plating: 1= Tin over Nickel
- ④ Material: B= Brass
P= Phosphor Bronze
- ⑤ Plating method: E= Pre-tinned
- ⑥ Other options: 0= Standard