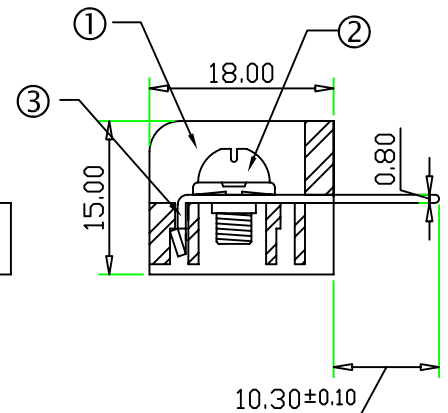
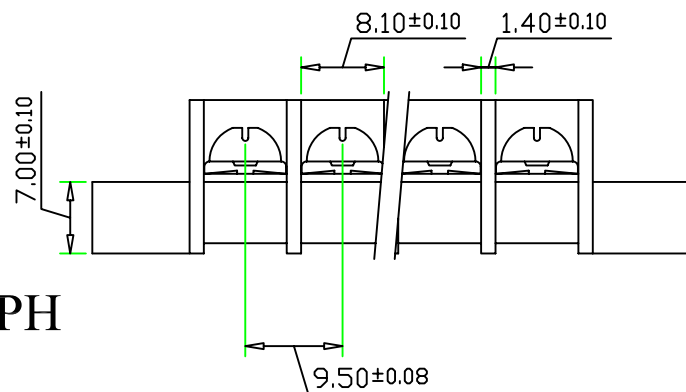
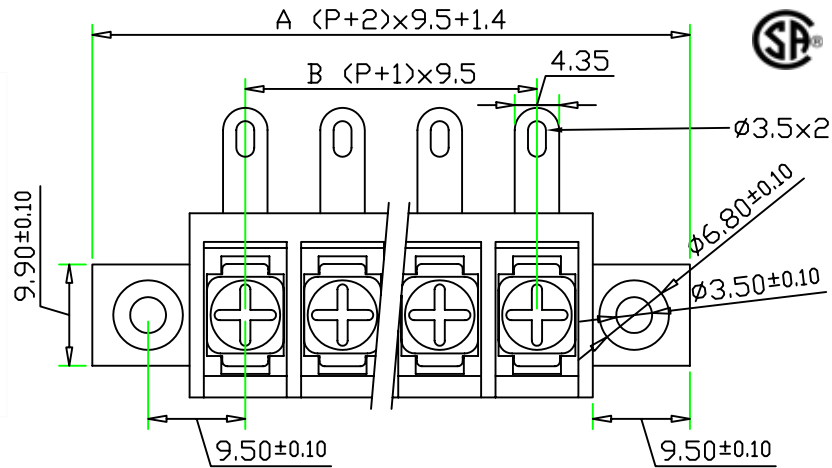




HOWDER

Closed Barrier type terminal block



Part Number:

HB-953-PH

Pole Size 2~30P

SPECIFICATIONS

- ① Housing Material: Polyamide 66(UL94V-0), Black
- ② Screw: M3.5 Nickel Plated Steel
- ③ Terminals: Tin Plated Brass

Screws Torque: 10 In-Lb

Wire Range: 14~22 AWG

Rated: 15 Amperes.AC250V

Operation Temperature: $-55^{\circ}\text{C} \sim +95^{\circ}\text{C}$

Insulation withstands volt: AC2000V min

Insulation resistance: $>1000\text{M}\Omega$ or more at DC500V