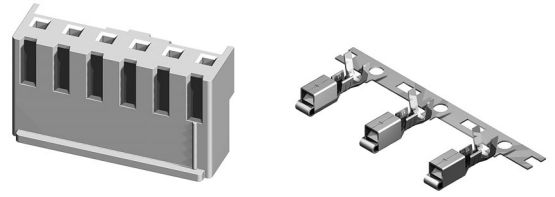


CI52 Series 3.96mm(.156") Wire to Board Connectors

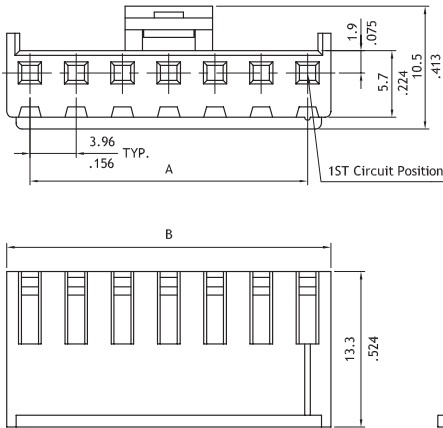
- With locking latch
- Mate with CI52 header
- Can be used CI52 crimp clip terminal
- Insulator: Nylon 66 UL 94V-0 , Color Nature
- Terminal: Tin plated Brass or Phosphor Borzne

RoHS Compliant

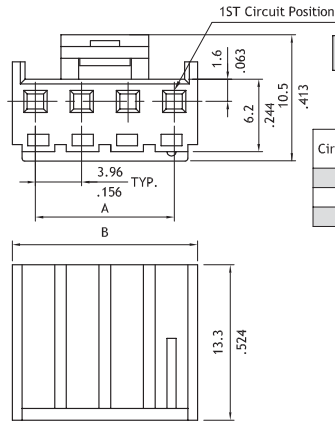


RU RU :E159616

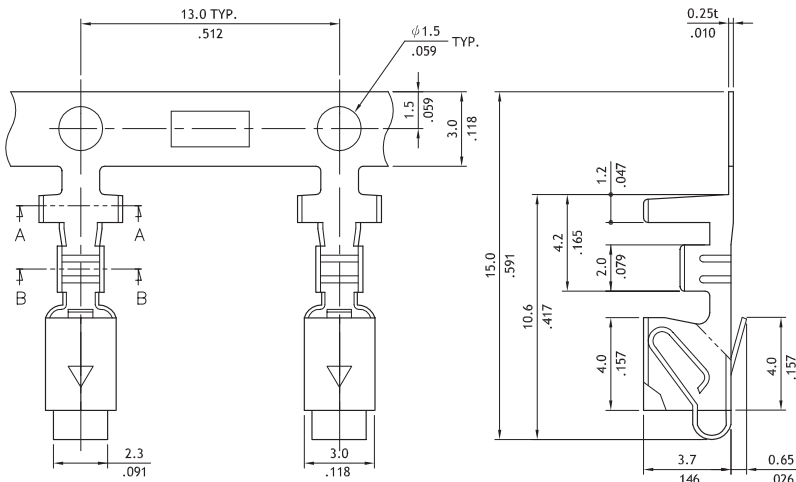
PHDxx



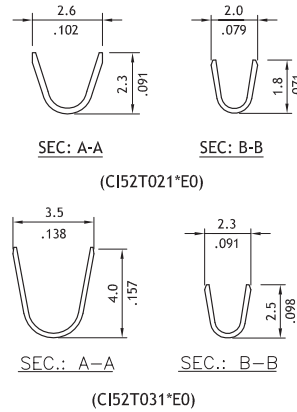
Circuits	Dimension	
	A	B
2	3.96(.156)	7.9(.311)
3	7.92(.312)	11.9(.469)
4	11.88(.468)	15.8(.622)
5	15.84(.624)	19.8(.780)
6	19.80(.780)	23.8(.937)
7	23.76(.935)	27.7(1.091)
8	27.72(1.091)	31.7(1.248)
9	31.68(1.247)	35.6(1.402)
10	35.64(1.403)	39.6(1.559)
11	39.60(1.559)	43.6(1.717)
12	43.56(1.715)	47.5(1.870)



P/N		CI52**SM000	
Circuits	Dimension		
	A	B	
2	3.96(.156)	7.92(.312)	
3	7.92(.312)	11.88(.468)	
4	11.88(.468)	15.84(.634)	



Part No.	Wire Range	Insulation Diameter	Reel Qty
CI52T021*E0	AWG #22-#28	1.90 (.075) MAX.	4,000 PCS
CI52T031*E0	AWG #18-#22	2.70 (.106) MAX.	4,000 PCS



Ordering Code

1 **2** **3** **4**
CI52 12 S 0000

- ① Series No.
- ② No. of Circuits: 02 to 12
- ③ S= Connector housing
- ④ Other options:
 0000= Standard;M000= Special Type
 *Special options consult manufacturer

1 **2** **3** **4** **5** **6**
CI52 T03 1 B E 0

- ① Series No.
- ② Type: T02= AWG #22~#28
 T03= AWG #18~#22
- ③ Plating: 1= Tin over Nickel
- ④ Material: B= Brass , P= Phosphor Bronze
- ⑤ Plating method: E= Pre-tinned
- ⑥ Other options: 0= Standard