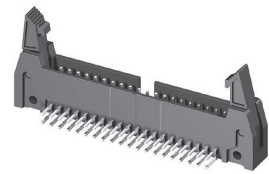
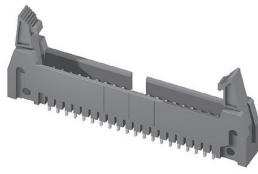


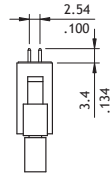
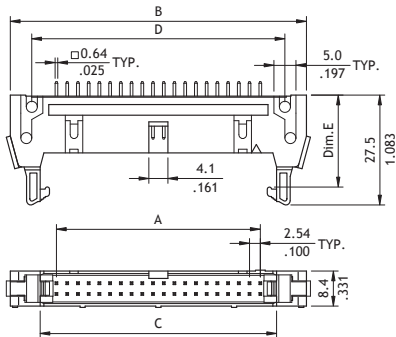
CH88 Series 2.54mm(.100") Shrouded Box Headers

- ⊙ Shrouded header with eject latch
- ⊙ Mate with CA21 series

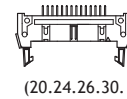
RoHS Compliant



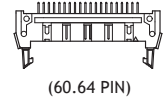
Straight



(10. 14. 16 PIN)



(20. 24. 26. 30. 34. 40. 50 PIN)

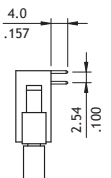
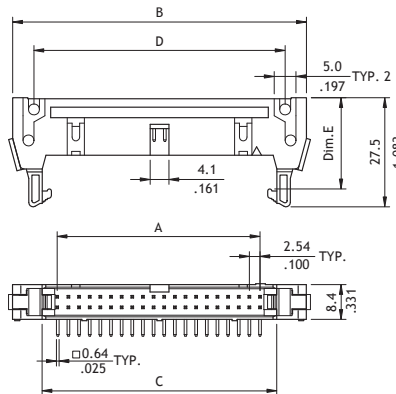


(60. 64 PIN)

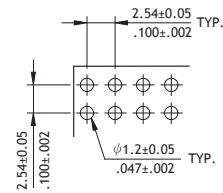
	Long	Short
DIM.E	22.0(.866)	18.4(.724)

Circuits	Dimension			
	A	B	C	D
10	10.16(.400)	31.87(1.255)	17.90(.705)	21.70(.854)
14	15.24(.600)	36.95(1.454)	22.95(.903)	26.88(1.058)
16	17.78(.700)	39.48(1.554)	25.50(1.004)	29.27(1.152)
20	22.86(.900)	44.62(1.757)	30.58(1.204)	34.50(1.358)
24	27.94(1.100)	49.67(1.956)	35.70(1.406)	39.50(1.555)
26	30.48(1.200)	52.23(2.056)	38.25(1.506)	42.05(1.656)
30	35.56(1.400)	57.30(2.256)	43.35(1.707)	47.20(1.858)
34	40.64(1.600)	62.38(2.456)	48.40(1.906)	52.15(2.053)
40	48.26(1.900)	69.95(2.754)	56.05(2.207)	59.90(2.358)
44	53.34(2.100)	75.08(2.956)	61.11(2.406)	64.77(2.550)
50	60.96(2.400)	82.70(3.255)	68.70(2.705)	72.55(2.856)
60	73.66(2.900)	95.45(3.758)	81.50(3.209)	85.25(3.356)
64	78.74(3.100)	100.60(3.960)	86.40(3.402)	90.35(3.557)

Right Angle



	Long	Short
DIM.E	22.0(.866)	18.4(.724)



Recommended PCB Layout

Ordering Code

① CH88 ② 64 ③ 2 ④ A ⑤ 1 ⑥ 00

- ① Series No.
- ② No. of Circuits: see above table please consult manufacturer
- ③ Plating Code: 2 = Gold flash over Nickel
- ④ Tail & Mounting Style:
 A = With Long Latch / Straight (DIM.E = 22.0)
 B = With Long Latch / Right Angle (DIM.E = 22.0)
 C = With Short Latch / Straight (DIM.E = 18.4)
 D = With Short Latch / Right Angle (DIM.E = 18.4)
- ⑤ Insulator Material & Color:
 1 = Black
- ⑥ Other Options:
 00 = Standard
 *Special options consult manufacturer