

AKZ350/..-5.08-V-GREEN



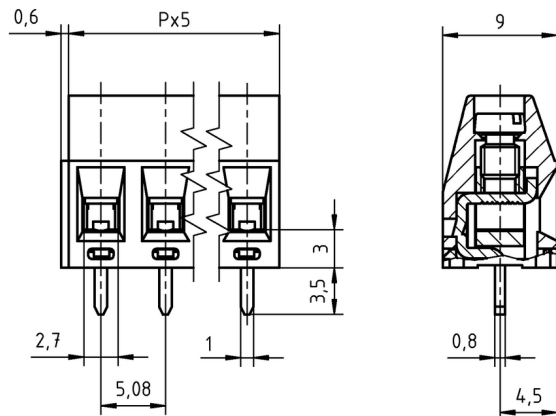
Technical Data

Wire Sizes		Insulating Material	
Solid min	0.14 mm ²	Material	PA 6.6
solid max	2.5 mm ²	Flammability Class	UL 94 V-0
Stranded (flexible)		Temperatures	
min	0.14 mm ²	Operating Temperature	-30 °C - 105 °C
max	1.5 mm ²	Wave Soldering Process	
Stranded with Ferrule		Soldering Temperature, recommended	265 °C
min	0.25 mm ²	Peak Soldering Time, recommended	3-4 s
max	1.5 mm ²	Reflow Process	
Stranded with Ferrule		Soldering Temperature, recommended	-
min	0.25 mm ²	Peak Soldering Time, recommended	-
max	1.5 mm ²		
Dimensions			
Stripped Length	6.0 mm		
PCB Hole Diameter	1.3 mm		
Materials			
Clamp	Brass		
Screw	Steel		
Solder Tag	Copper Alloy		

Colours

	GREEN, RAL6018
	LIGHT GREY, RAL7035
	BLUE, RAL5015
	LIGHT GREEN, similar RAL 6018

Colours according to RAL, there may be variations on colour due to production conditions. Special colours on request.



Order Data (Spacing 5.08 mm)

Poles	Width (mm)	Article Designation	Article Number	PU
2	10.76	AKZ350/2-5.08-V-GREEN	50350020001F	200
3	15.84	AKZ350/3-5.08-V-GREEN	50350030001F	200
4	20.92	AKZ350/4-5.08-V-GREEN	50350040001F	200
5	26.00	AKZ350/5-5.08-V-GREEN	50350050001F	200
6	31.08	AKZ350/6-5.08-V-GREEN	50350060001E	100
7	36.16	AKZ350/7-5.08-V-GREEN	50350070001E	100
8	41.24	AKZ350/8-5.08-V-GREEN	50350080001E	100
9	46.32	AKZ350/9-5.08-V-GREEN	50350090001E	100
10	51.40	AKZ350/10-5.08-V-GREEN	50350100001D	50
11	56.48	AKZ350/11-5.08-V-GREEN	50350110001D	50
12	61.56	AKZ350/12-5.08-V-GREEN	50350120001D	50

Accessories

Figure	Designation	Article Number
	Bridge, 2-pole, insulated, BRI/2-5.0/5.08-LIGHT GREY	50000000006
	Bridge, 3-pole, insulated, BRI/3-5.0/5.08-LIGHT GREY	50000000007
	Bridge, 2-pole, BR/2-5.0/5.08-L7.0	50000000008

Ratings



Usegroup	B	C	D		
Rated Voltage	300 V	150 V	300 V	250 V	
Rated Current	16 A	16 A	10 A	24 A	
Rated Wire Size	solid	AWG 22-12	AWG 22-12	min	max
	stranded	AWG 22-12	AWG 22-12	0.5 mm ²	2.5 mm ²
Torque	0.45 Nm	0.45 Nm	0.45 Nm	0.50 Nm	
Screw Size	M3	M3	M3	M3	
Test Voltage	1.6 kV	1.6 kV	1.6 kV	2.0 kV	