

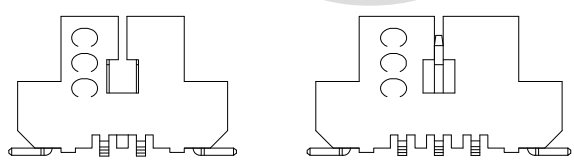
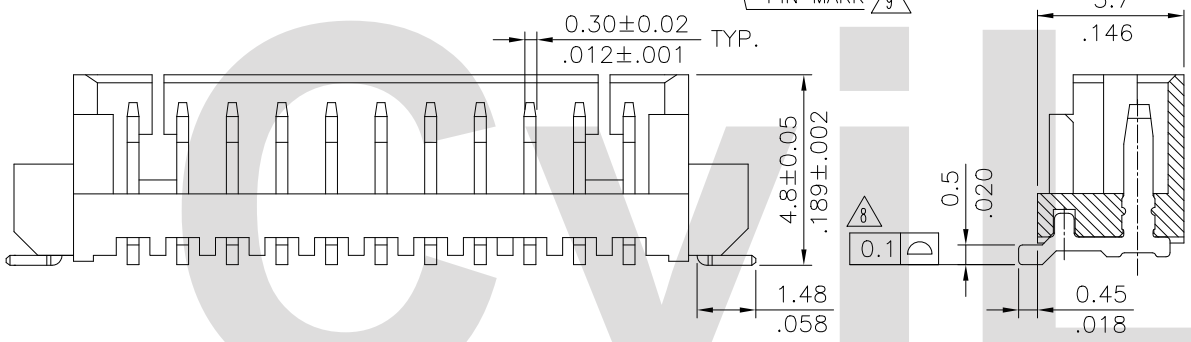
ORDERING CODE:

CI44 ** M 1 V 00
 ① ② ③ ④ ⑤ ⑥

- ① SERIES NO.:
- ② NO. OF CIRCUITS: 02 TO 15
- ③ M= SMT TYPE HEADER
- ④ PLATING OPTION:
1= Tin over Nickel plated
- ⑤ TAIL STYLE: V= STRAIGHT
- ⑥ OPTION: 00= STANDARD(TUBE PACKING)
R0= TAPE & REEL PACKING

Note:

* Material :
 Insulation:
 Nylon 46+40% G.F UL 94V-0
 Color Nature(Ivory)
 Contact : Phosphor Bronze
 Fixed Tab : Brass with Tin Plated
 * Recommended mating part:
 Housing : CI44**S0000
 Terminal : CI44T011PPO

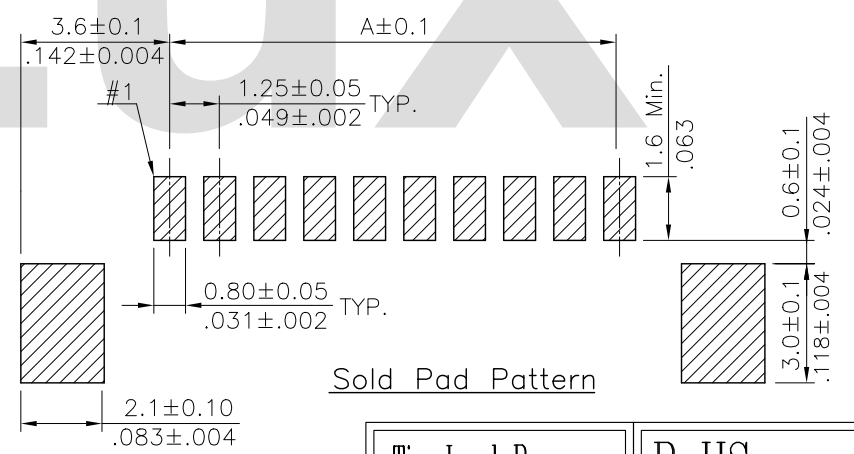


FOR 2 Circuits

FOR 3 Circuits

A = 1.25 x No. of Spaces
 B = A + 6.1
 C = A + 1.9

* Available in 2 through 15 circuits

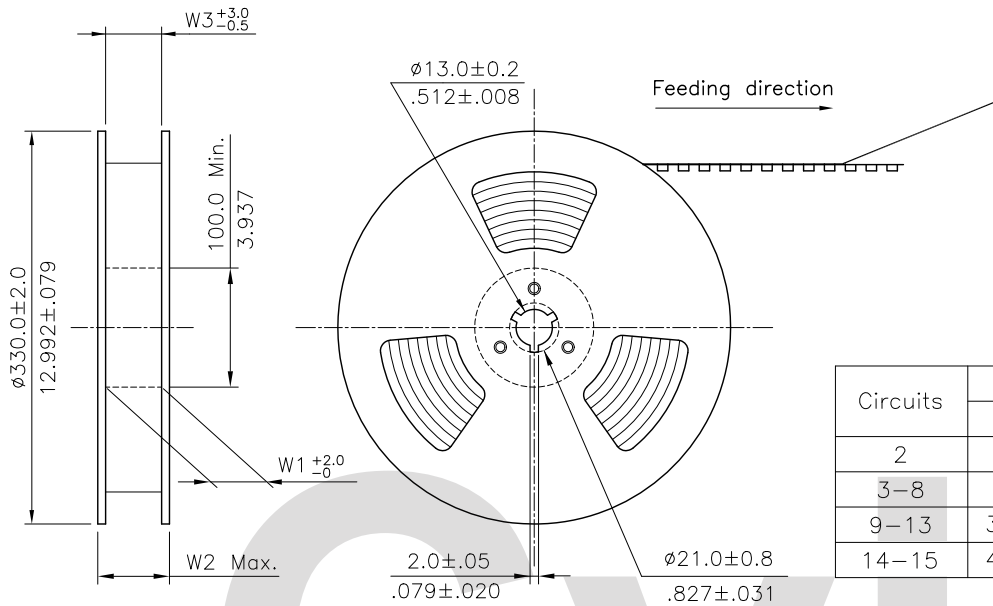


Sold Pad Pattern

Tin-Lead Process RoHS Compliant

⑩	Karen	4/13-11'	ECN11071/ECR11010-1		DATE	UNIT: mm / inch	TITLE: 1.25MM(.049") STRAIGHT SMT TYPE HEADER	
⑨	Tim	11/09-10'	ECR10145-0/ECN10364		DRAWN BY: Sun	TOLERANCE UNLESS OTHERWISE SPECIFIED	MATERIAL:	
⑧	Bill	7/13/07'	ECN07276		ENGINEER: Clark	7/06-11'		.X ± 0.25/.010 X' ± 1'
⑦	Sandy	04/29-07'	ECN07153		CHECKED BY: Eisley	7/07-11'		.XX ± 0.15/.006 .X' ±
SYM	NAME	DATE	REVISIONS		APPROVED BY: Eisley	7/07-11'		.XXX ± 0.08/.003 .XX' ±
DRAWING NO.		CI4406SP		PART NO.		CI44**M1V**		
SCALE		5 / 1		SHEET		1 OF 2		

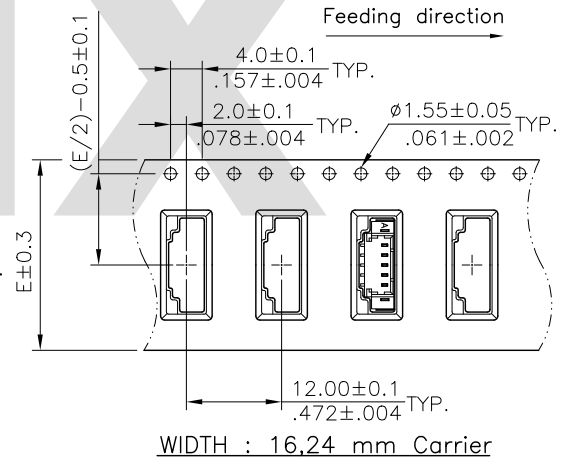
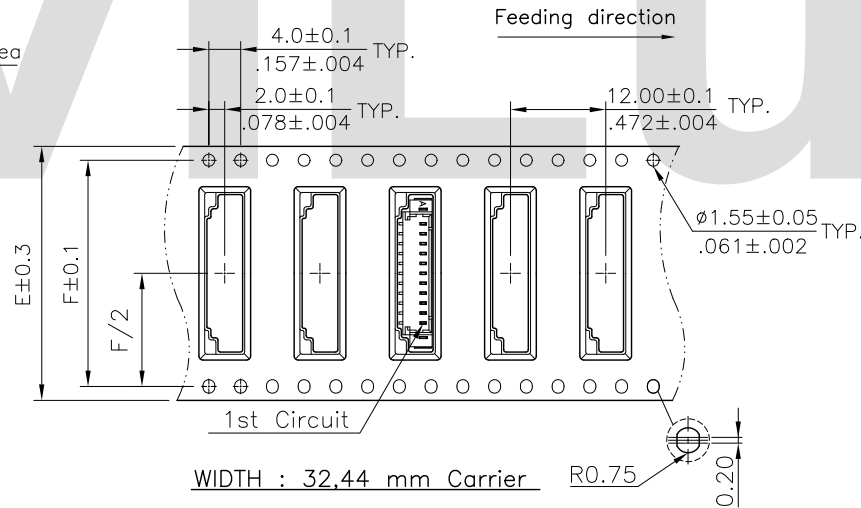
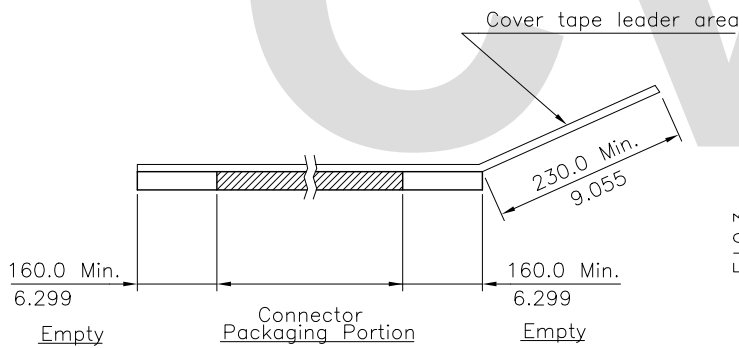




NOTE :

- * Reel Material : CORRUGATED PAPER
- * Carrier Material : Clear, Conductive Polystyrene Alloy
- * Cover Tape Material : Polyester
- * Cover Tape Peel Strength : 0.1N – 1.3N
- * Carrier camber is within 1mm in 100mm
- * All dimensions meet EIA-481-2 & EIA-481-3 requirements.
- * Quantity : 1000 PCS/Reel

Circuits	Dimension					Packing (Reel/Caton)
	E	F	W1	W2	W3	
2	16.0(.630)	---	16.5(.650)	22.5(.886)	16.5(.650)	11
3-8	24.0(.945)	---	24.5(.965)	30.5(1.201)	24.5(.965)	9
9-13	32.0(1.260)	28.40(1.118)	32.5(1.280)	38.5(1.516)	32.5(1.280)	7
14-15	44.0(1.732)	40.40(1.591)	44.5(1.752)	50.5(1.988)	44.5(1.752)	5



RoHS Compliant

10	Karen	4/13-11'	ECN11071/ECR11010-1		DATE	UNIT: mm / inch	TITLE: 1.25MM(.049") STRAIGHT SMT TYPE HEADER	瀚荃股份有限公司 CviLux Corporation			
9	Tim	11/09-10'	ECR10145-0/ECN10364	DRAWN BY: Sun	6/21-11'	TOLERANCE UNLESS OTHERWISE SPECIFIED	MATERIAL:				
8	Bill	7/13/07'	ECN07276	ENGINEER: Clark	7/06-11'	.X ± .X' ± 1'	FINISH:	SCALE	SHEET 2 OF 2		
7	Sandy	04/29-07'	ECN07153	CHECKED BY: Eisley	7/07-11'	.XX ± .X' ±					
SYM	NAME	DATE	REVISIONS	APPROVED BY: Eisley	7/07-11'	.XXX ± .XX' ±					

CIVILUX CORP
 2011.07.21
 ISSUED