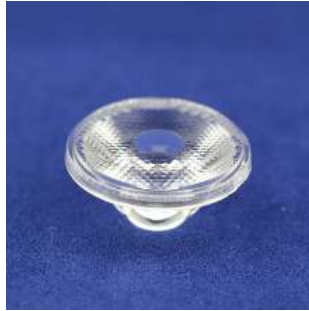




XLamp XT-E HVW

> Single Lenses

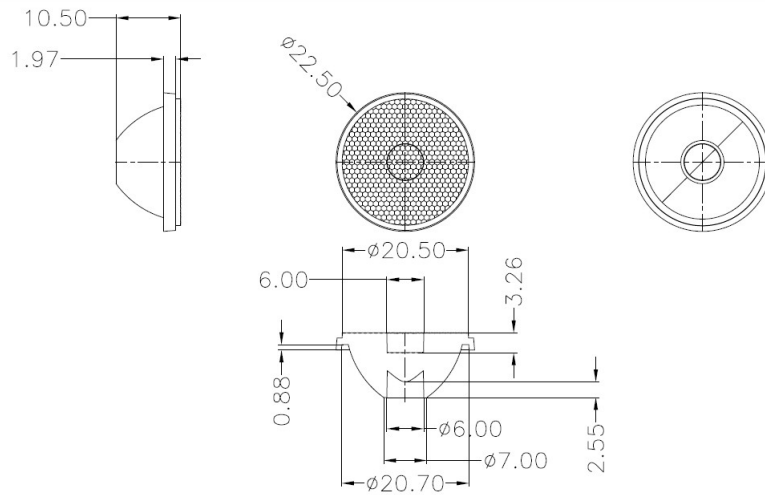
» BK-LED-078



**Parameter**

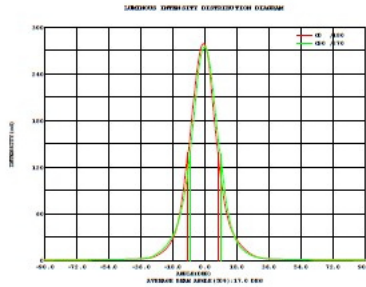
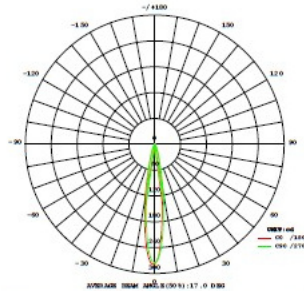
Diameter:  $\Phi 22.5\text{mm}$   
Height: 10.5mm  
Fov: 17°  
Material: Optical grade Acrylic plastic  
Up to 92.5% efficiency  
LED Series: CREE XLamp XT-E HVW

Applications:  
Reading lights(car, bus, aircraft)  
Portable (flashlight, bicycle)  
Mini-accent/Decorative/Fiber Optics Alternative  
Undershef / Task Lighting  
Indoor and Outdoor Commercial and Residential Architectural lighting





BICOM OPTICS TEST REPORT



Intensity data:(deg , cd) C0 /180

A	I	A	I	A	I	A	I	A	I	A	I	A	I
-90.0	0.3029	-58.5	0.8135	-27.0	6.180	4.5	201.2	36.0	1.760	67.5	0.7944		
-88.5	0.3262	-57.0	0.8421	-25.5	8.208	6.0	167.0	37.5	1.553	69.0	0.7289		
-87.0	0.3129	-55.5	0.8854	-24.0	10.59	7.5	136.3	39.0	1.453	70.5	0.7334		
-85.5	0.3684	-54.0	0.8996	-22.5	13.24	9.0	106.2	40.5	1.355	72.0	0.7334		
-84.0	0.3939	-52.5	0.9322	-21.0	16.96	10.5	81.99	42.0	1.299	73.5	0.7267		
-82.5	0.4227	-51.0	0.9730	-19.5	21.69	12.0	63.38	43.5	1.226	75.0	0.6879		
-81.0	0.4860	-49.5	1.031	-18.0	28.35	13.5	49.69	45.0	1.159	76.5	0.6635		
-79.5	0.4904	-48.0	1.073	-16.5	36.53	15.0	39.49	46.5	1.064	78.0	0.6402		
-78.0	0.5315	-46.5	1.097	-15.0	49.38	16.5	31.88	48.0	1.037	79.5	0.6202		
-76.5	0.5408	-45.0	1.200	-13.5	67.95	18.0	26.19	49.5	1.014	81.0	0.6346		
-75.0	0.5654	-43.5	1.266	-12.0	91.78	19.5	21.71	51.0	0.9730	82.5	0.5692		
-73.5	0.6202	-42.0	1.337	-10.5	119.9	21.0	17.64	52.5	0.9564	84.0	0.5104		
-72.0	0.5980	-40.5	1.411	-9.0	142.3	22.5	14.13	54.0	0.9253	85.5	0.5297		
-70.5	0.6535	-39.0	1.605	-7.5	178.1	24.0	11.24	55.5	0.8976	87.0	0.5044		
-69.0	0.6979	-37.5	1.689	-6.0	210.9	25.5	8.656	57.0	0.8976	88.5	0.4516		
-67.5	0.7213	-36.0	1.889	-4.5	242.3	27.0	6.592	58.5	0.9276	90.0	0.4571		
-66.0	0.7350	-34.5	2.077	-3.0	264.6	28.5	5.049	60.0	0.9043				
-64.5	0.7409	-33.0	2.350	-1.5	277.1	30.0	3.847	61.5	0.8454				
-63.0	0.7567	-31.5	2.767	0.0	277.5	31.5	2.935	63.0	0.8366				
-61.5	0.8066	-30.0	3.530	1.5	265.5	33.0	2.381	64.5	0.8388				
-60.0	0.7855	-28.5	4.614	3.0	238.2	34.5	2.004	66.0	0.8144				

Electricity Parameter:

Voltage : 47.00 V Current : 0.0200 A  
 Power P: 0.9400 W Power Factor: 1.000

Optical Parameter (Distance:3.160m) :

Luminous flux = 39.66 lm Efficiency: Eff=42.19 lm/W  
 Avg. Beam angle: @(25%):25.3deg @(50%):17.0deg @(75%):10.4deg @(10%):36.7deg  
 C0 /180: @(25%):25.0deg @(50%):16.9deg @(75%):10.4deg @(10%):36.3deg  
 C0 /180 Imax = 278.6 cd (G=-0.5deg) Io = 277.5 cd

H( $\beta$ ) Range:-90 - 90DEG V(B) Range:-90 - 90DEG  
 H( $\beta$ ) Interval: 0.5DEG V(B) Interval: 0.5DEG  
 Test Speed: HIGH Test System:EVERFINE GO-SPEC316 SYSTEM V1.0.255  
 Temperature:25.3DEG Humidity:65.0%  
 Operators:BICOM Test Distance:3.160m [K=1.0000]  
 Test Date:2011-10-18 Remarks: