



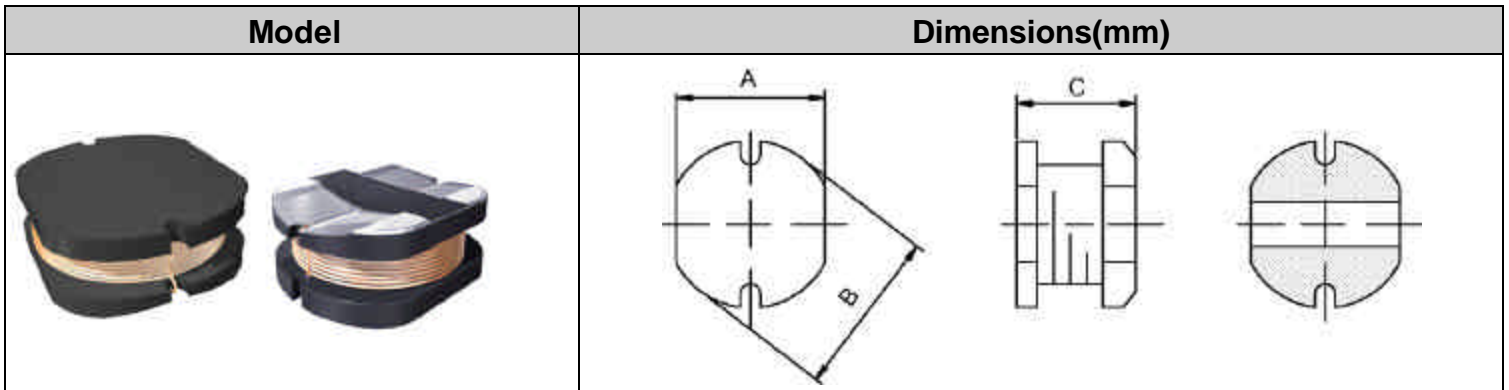
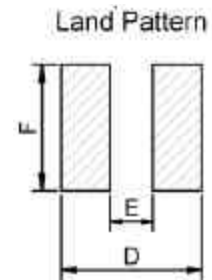
SMD POWER INDUCTORS 表面安裝大功率電感

FEATURES

- Low profile SMD.
- Suitable for high-density mounting.
- Leaching resistance to heat and humidity.
- High saturation current ratings.
- Higher Q value than multi-layer inductors.

APPLICATIONS

- Portable communication equipment
- Notebook computer
- DC/DC converters, etc
- Personal Data Assistant (PDA)



Model			Dimensions (mm)					
Model	L Range	Qty./Reel	A	B	C	D	E	F
DA43	1μH ~ 86μH	1,000pcs	4.0±0.3	∅4.5±0.3	MAX. 3.5	5.0	1.5	4.5
DA53	1μH ~ 100μH	1,000pcs	5.2±0.3	∅4.5±0.3	MAX. 3.3	6.0	1.7	5.5
DA54	10μH ~ 220μH	1,000pcs	5.2±0.3	∅5.8±0.3	MAX. 4.8	6.0	1.7	5.5
DA73	10μH ~ 330μH	1,000pcs	7.0±0.3	∅7.8±0.3	MAX. 3.8	8.0	2.0	7.5
DA75	10μH ~ 470μH	1,000pcs	7.0±0.3	∅7.8±0.3	MAX. 5.3	8.0	2.0	7.5
DA104	10μH ~ 560μH	1,000pcs	9.0±0.3	∅10.0±0.3	MAX. 4.3	10.0	2.5	9.5
DA105	10μH ~ 820μH	500pcs	9.0±0.4	∅10.0±0.4	MAX. 5.7	10.0	2.5	9.5

Specifications other than the above will be furnished upon request.





SMD POWER INDUCTORS 表面安裝大功率電感


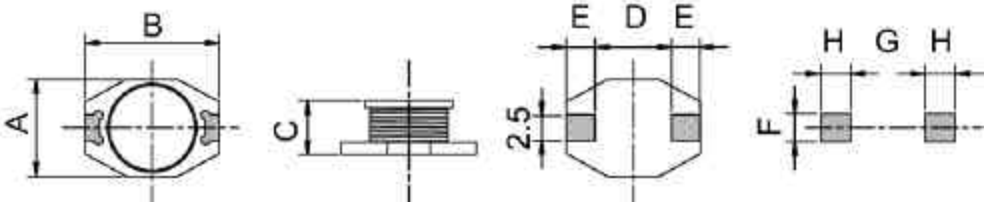

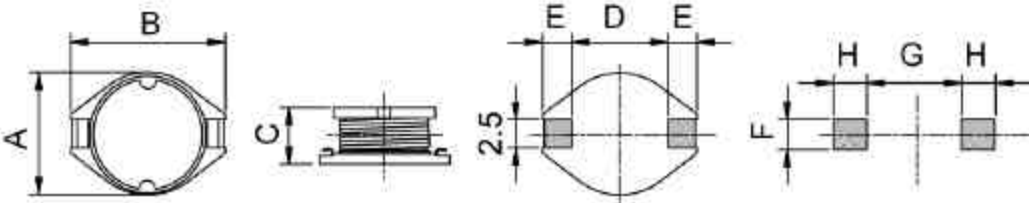
FEATURES

- Flat bottom surface ensures secure, reliable mounting.
- Low profile, low DC resistance, and high current handling capacities.
- These parts can be used in high-density mounting configurations because they are magnetically shielded.
- Provided in embossed carrier tape packaging for use with automatic mounting machines.

APPLICATIONS

- Mobile phone, Personal Computer, Hard disk drives, Game/Playstation

Model		Dimensions(mm)	
			
MODEL	L RANGE	PACKING	DIMENSION A
DRH124	3.9μH ~ 330μH	500 pcs	MAX. 4.8
DRH125	1.3μH ~ 1.0mH	500 pcs	MAX. 6.0
DRH126	1.2μH ~ 1.0mH	500 pcs	MAX. 7.0
DRH127	1.2μH ~ 1.0mH	500 pcs	MAX. 8.0

Model		Dimensions(mm)							
									
L RANGE	PACKING	A	B	C	D	E	F	G	H
1μH ~ 15mH	500pcs	9.3±0.2	12.8±0.2	MAX. 5.8	7.0	2.7	2.7	7.2	2.9
									
L RANGE	PACKING	A	B	C	D	E	F	G	H
1μH ~ 47mH	500pcs	15.2±0.2	18.2±0.2	MAX. 6.9	12.7	2.5	3.0	12.6	3.0

Specifications other than the above will be furnished upon request.



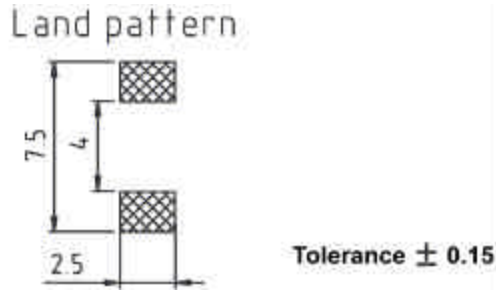
SMD POWER INDUCTORS 表面安裝大功率電感


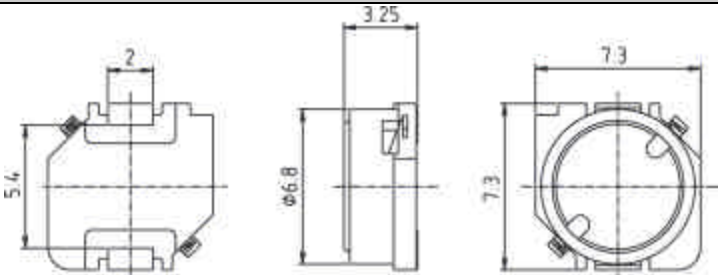
FEATURES

- Flat bottom surface ensures secure, reliable mounting.
- Low profile, low DC resistance, and high current handling capacities.
- These parts can be used in high-density mounting configurations because they are magnetically shielded.
- Provided in embossed carrier tape packaging for use with automatic mounting machines.

APPLICATIONS

- Mobile phone
- Personal Computer
- Hard disk drives
- Game/Playstation



Model	Dimensions(mm)
SD73 	

Specification Table of SMD Power Inductor SD73

Model	L(μ H)	Test Freq (kHz)	DCR (max)	I _{RDC} (A max)
SD73- 1R0M	1.0	100	0.019	3.12
SD73- 1R5M	1.5	100	0.023	2.85
SD73- 2R2M	2.2	100	0.028	2.66
SD73- 3R3M	3.3	100	0.035	2.26
SD73- 4R7M	4.7	100	0.043	1.96
SD73- 6R8M	6.8	100	0.055	1.76
SD73- 100M	10	100	0.080	1.34
SD73- 120M	12	100	0.090	1.23
SD73- 150M	15	100	0.120	1.09
SD73- 180M	18	100	0.130	0.99
SD73- 220M	22	100	0.150	0.90
SD73- 270M	27	100	0.210	0.81
SD73- 330M	33	100	0.250	0.72
SD73- 390M	39	100	0.310	0.67
SD73- 470M	47	100	0.350	0.60
SD73- 560M	56	100	0.430	0.55
SD73- 680M	68	100	0.520	0.50
SD73- 820M	82	100	0.600	0.46
SD73- 101M	100	100	0.790	0.41

Specifications other than the above will be furnished upon request.



SMD POWER INDUCTORS

表面安裝大功率電感

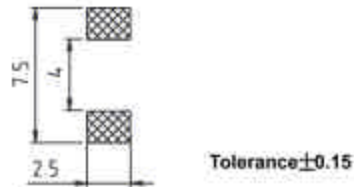
FEATURES


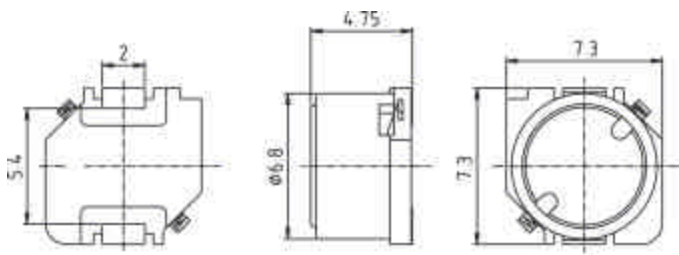
- Flat bottom surface ensures secure, reliable mounting.
- Low profile, low DC resistance, and high current handling capacities.
- These parts can be used in high-density mounting configurations because they are magnetically shielded.
- Provided in embossed carrier tape packaging for use with automatic mounting machines.

APPLICATIONS

- Mobile phone
- Personal Computer
- Hard disk drives
- Game/Playstation

Land pattern



Model	Dimensions(mm)
SD75	 

Specification Table of SMD Power Inductor SD75

Model	L(μ H)	Test Freq (kHz)	DCR (max)	I _{RDC} (A max)
SD75- 1R0M	1.0	100	0.020	2.80
SD75- 1R5M	1.5	100	0.024	2.59
SD75- 2R2M	2.2	100	0.028	2.38
SD75- 3R3M	3.3	100	0.034	2.14
SD75- 4R7M	4.7	100	0.039	1.96
SD75- 6R8M	6.8	100	0.050	1.79
SD75- 100M	10	100	0.055	1.63
SD75- 120M	12	100	0.073	1.42
SD75- 150M	15	100	0.081	1.33
SD75- 180M	18	100	0.102	1.15
SD75- 220M	22	100	0.115	1.09
SD75- 270M	27	100	0.159	0.91
SD75- 330M	33	100	0.182	0.84
SD75- 390M	39	100	0.199	0.80
SD75- 470M	47	100	0.221	0.75
SD75- 560M	56	100	0.306	0.64
SD75- 680M	68	100	0.345	0.60
SD75- 820M	82	100	0.390	0.57
SD75- 101M	100	100	0.432	0.50
SD75- 121M	120	100	0.440	0.47
SD75- 151M	150	100	0.730	0.40
SD75- 181M	180	100	0.780	0.39
SD75- 221M	220	100	0.940	0.33
SD75- 271M	270	100	1.250	0.31
SD75- 331M	330	100	1.400	0.27
SD75- 391M	390	100	1.520	0.27
SD75- 471M	470	100	1.700	0.25
SD75- 561M	560	100	2.390	0.22

Specifications other than the above will be furnished upon request.



SMD MINIATURE COILS 表面安裝迷你型線圈

FEATURES


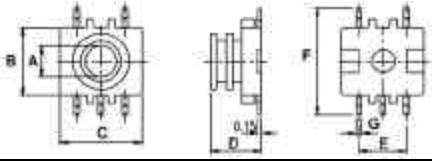

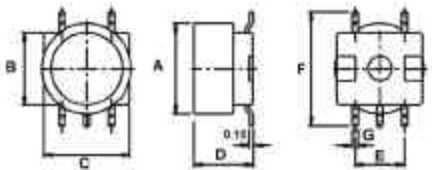

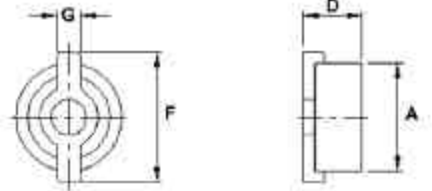



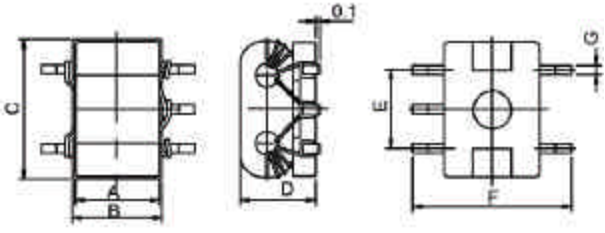
- Windings use pair wires/twin wire for high uniformity.
- Base pins are end processed to allow direct mounting on PCB.

APPLICATIONS

- Antenna impedance matching coil for car radio television and stereo sets.
- Linkage transformer for data communication system.
- Impedance conversion transformer, distribution transformers, transmission transformer.
- Double balanced mixer for electronic equipment.

SPECIFICATIONS

1. Inductance
2. Operating frequency

Model	Specification	Dimensions (mm)						
		A±0.2	B±0.2	C±0.2	D±0.2	E±0.2	F±0.2	G
 	1. 1.0uH max. 2. 200MHz max.	1.6	3.4	4.4	2.4	3.0	5.2	0.4
 	1. 0.1~8mH max. 2. DC~500kHz	4.5	3.4	4.4	3.3	3.0	5.2	0.4
 	1. 1~20mH 2. DC~500kHz	4.5	-	-	2.5	-	5.6	0.9
 		3.4	4.4	4.4	3.5	3.0	5.2	0.4
 		2.0	2.4	5.4	4.0	3.0	5.2	0.4
		3.0	2.4	5.4	4.0	3.0	5.2	0.4

Specifications other than the above will be furnished upon request.



SMD TRANSFORMERS

表面安裝變壓器

APPLICATIONS


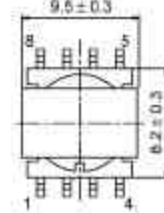
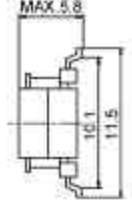
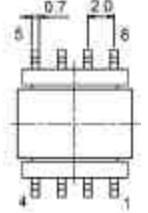
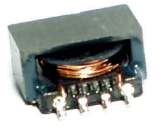
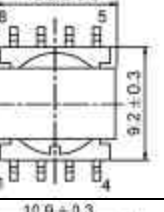
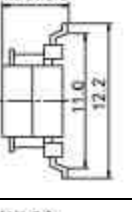
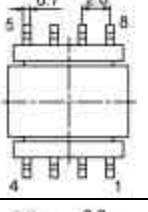

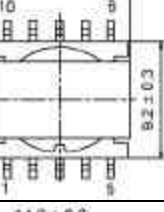
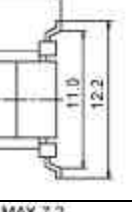
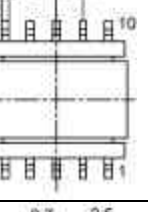

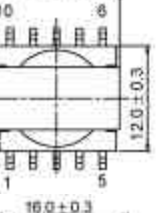
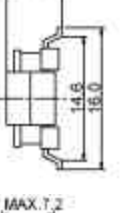
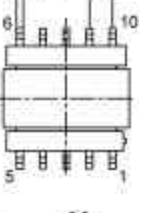

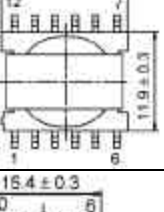
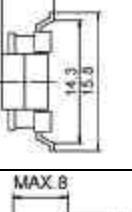
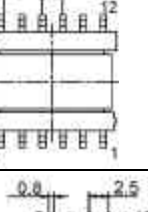

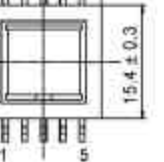
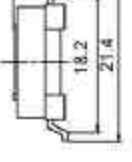
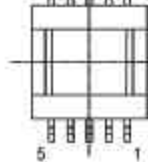
- DC-DC converter/EL inverter/Pulse transformer, Digital Camera and Video, Desk Top and Notebook designs, PDAs, Motherboard, LCD Backlighting, Battery Chargers, Modems, Printers, PCMCIA, Lottery and Gaming Products and Industrial Test Equipment.
- Dashboard and Radio Backlighting, Cabin Lighting, Keyless Entry and Navigational Systems.
- Small and Large Appliances, Appliance Controls, Garage Door Openers, Electronic Games.
- Cellular Phones, Beepers, Local Area Network, Ethernet, Wireless Applications and Switching Systems.

FEATURES

- Quantity/Reel
- Tape width
- Reel diameter

SPECIFICATIONS

- Inductance
- Operation frequency
- Max. operation power

MODEL	FEATURES	SPECIFICATIONS	DIMENSIONS (mm)		
 <p>CER95</p>	High efficiency Low profile type A. 500pcs B. 24.0mm C. 330mm	1. Max. 20mH 2. Max. 500KHz 3. Max. 2.5W			
 <p>CER115 (8PIN)</p>	High efficiency Low profile type A. 500pcs B. 24.0mm C. 330mm	1. Max. 30mH 2. Max. 500KHz 3. Max. 5W			
 <p>CER115 (10PIN)</p>	High efficiency Low profile type A. 500pcs B. 24.0mm C. 330mm	1. Max. 30mH 2. Max. 500KHz 3. Max. 55W			
 <p>CER145 (10PIN)</p>	High efficiency High power Low profile type A. 300pcs B. 24.0mm C. 330mm	1. Max. 130mH 2. Max. 500K 3. Max. 12W			
 <p>CER145 (12PIN)</p>	High efficiency High power Low profile type A. 300pcs B. 24.0mm C. 330mm	1. Max. 130mH 2. Max. 500K 3. Max. 12W			
 <p>CEFD15</p>	High efficiency Low profile type	1. Max. 250mH 2. Max. 500KHz 3. Max. 15W			

Specifications other than the above will be furnished upon request.