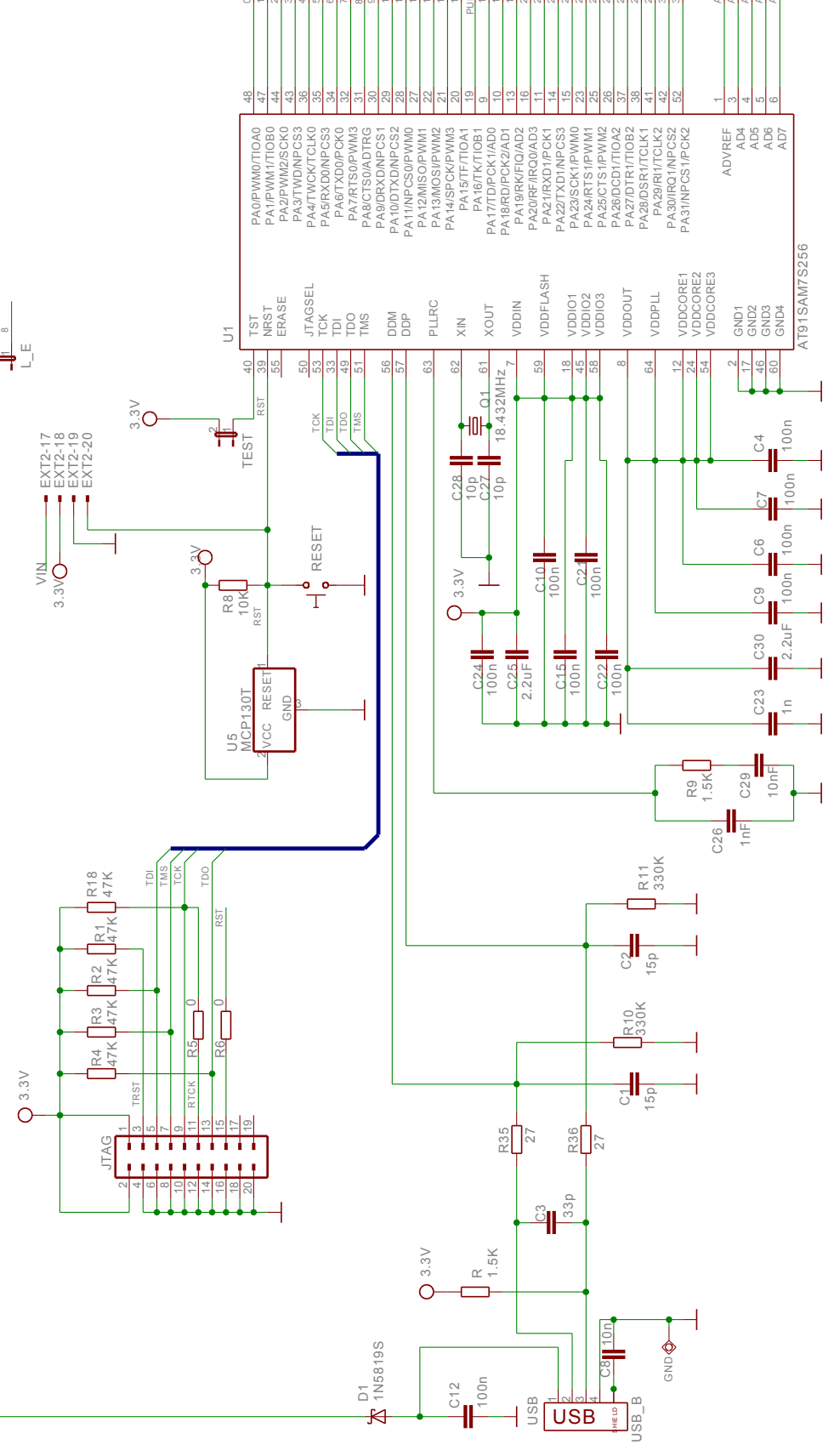


SAM7-H256

Rev. C
 COPYRIGHT(C) 2009, OLIMEX Ltd.
<http://www.olimex.com/dev>



48	PA0PWM0/TIOA0	0	EXT1-1
47	PA1PWM1/TIOB0	1	EXT1-2
44	PA2PWM2/SCK0	2	EXT1-3
43	PA3TWD/MPCS3	3	EXT1-4
36	PA4TWCK/TCLK0	4	EXT1-E
35	PA5RXD0/MPCS3	5	EXT1-C
34	PA6TXD0/PCK0	6	EXT1-7
32	PA7RTS0/PWM3	7	EXT1-8
31	PA8CTS0/ADTRG	8	EXT1-C
30	PA9DRXD0/MPCS1	9	EXT1-1
29	PA10TXD0/MPCS2	10	EXT1-1
28	PA11NPS0/PWM0	11	EXT1-1
27	PA12MISO/PWM1	12	EXT1-1
22	PA13MOSI/PWM1	13	EXT1-1
21	PA14SPCK/PWM3	14	EXT1-1
20	PA15TFT/IOA1	15	EXT1-1
19	PA16TK/TIOB1	16	EXT1-1
9	PA17TDIPCK/AD0	17	EXT1-1
10	PA18RFF/IRQ/AD0	18	EXT1-1
13	PA19RRF/IRQ/AD2	19	EXT1-2
16	PA20URF/IRQ/AD3	20	EXT1-2
11	PA21RXD1/PCK1	21	EXT1-2
14	PA22TXD1/MPCS3	22	EXT1-2
15	PA23SCK1/PWM0	23	EXT1-2
23	PA24RTS1/PWM1	24	EXT1-E
25	PA25CTS1/PWM2	25	EXT1-E
26	PA26DCD1/TIOA2	26	EXT1-E
37	PA27DTR1/TIOB2	27	EXT1-E
38	PA28DSR1/TCLK1	28	EXT1-E
41	PA29IR1/TCLK2	29	EXT1-E
42	PA30IRQ1/MPCS2	30	EXT1-1
52	PA31NPCS1/PCK2	31	EXT1-1
1	ADVREF	AR	EXT2-1
3	GND1	A4	EXT2-1
4	AD4	A5	EXT2-1
5	AD5	A6	EXT2-1
6	AD6	A7	EXT2-1
	AD7		A7

AT91SAM7S256

SAM7-H256 BOARD HEADER ASSIGNMENTS

EXT1			EXT2				
PA1	1	0	PA0	GND	38	39	nRST
PA3	3	2	PA2	5V-USB	36	37	3.3V
PA5	5	4	PA4	AD5	34	35	AD6
PA7	7	6	PA6	ADREF	32	33	AD4
PA9	9	8	PA8	PA30	30	31	PA31
PA11	11	10	PA10	PA28	28	29	PA29
PA13	13	12	PA12	PA26	26	27	PA27
PA15	15	14	PA14	PA24	24	25	PA25
PA17	17	16	PA16	PA22	22	23	PA23
PA19	19	18	PA18	PA20	20	21	PA21

The pin numbers are printed on the top silkscreen, the above drawings are with TOP view of the board

The distance between the headers is 1"