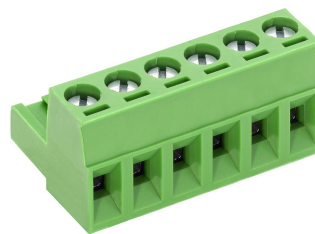


AK950/..-5.0-GREEN



Technical Data

Wire Sizes		Insulating Material	
Solid min	0.2 mm ²	Material	PA 6.6
solid max	4.0 mm ²	Flammability Class	UL 94 V-0
Stranded (flexible) min	0.2 mm ²	Temperatures	
Stranded (flexible) max	2.5 mm ²	Operating Temperature	-30 °C - 105 °C
Stranded with Ferrule min	0.25 mm ²	Wave Soldering Process	
Stranded with Ferrule max	2.5 mm ²	Soldering Temperature,	- recommended
Dimensions		Peak Soldering Time,	- recommended
Stripped Length	6.0 mm	Reflow Process	
Materials		Soldering Temperature,	- recommended
Clamp	Brass	Peak Soldering Time,	- recommended
Screw	Steel		
Contact Spring	Bronze		

Colours

	GREEN, RAL6018
	BLACK, RAL9011
	PEBBLE GREY, RAL7032
	LIGHT GREEN, similar RAL 6018

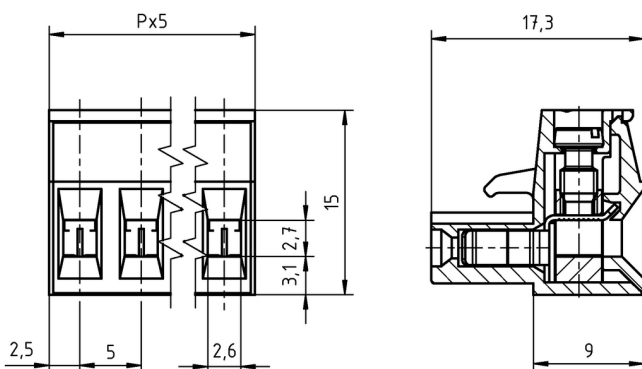
Colours according to RAL, there may be variations on colour due to production conditions.
Special colours on request.

Counterparts (Spacing 5.0 mm)

Pin Strip/Terminal Blocks

STL950	STL975	STL955
--------	--------	--------

If there are combinations with different ratings, the lower value is valid.



Order Data (Spacing 5.0 mm)

Poles	Width (mm)	Article Designation	Article Number	PU
2	10.00	AK950/2-5.0-GREEN	50950020001F	200
3	15.00	AK950/3-5.0-GREEN	50950030001F	200
4	20.00	AK950/4-5.0-GREEN	50950040001F	200
5	25.00	AK950/5-5.0-GREEN	50950050001E	100
6	30.00	AK950/6-5.0-GREEN	50950060001E	100
7	35.00	AK950/7-5.0-GREEN	50950070001E	100
8	40.00	AK950/8-5.0-GREEN	50950080001D	50
9	45.00	AK950/9-5.0-GREEN	50950090001D	50
10	50.00	AK950/10-5.0-GREEN	50950100001D	50
11	55.00	AK950/11-5.0-GREEN	50950110001D	50
12	60.00	AK950/12-5.0-GREEN	50950120001D	50
13	65.00	AK950/13-5.0-GREEN	50950130001D	50
14	70.00	AK950/14-5.0-GREEN	50950140001D	50
15	75.00	AK950/15-5.0-GREEN	50950150001D	50
16	80.00	AK950/16-5.0-GREEN	50950160001D	50
17	85.00	AK950/17-5.0-GREEN	50950170001D	50
18	90.00	AK950/18-5.0-GREEN	50950180001D	50
19	95.00	AK950/19-5.0-GREEN	50950190001D	50
20	100.00	AK950/20-5.0-GREEN	50950200001D	50
21	105.00	AK950/21-5.0-GREEN	50950210001D	50
22	110.00	AK950/22-5.0-GREEN	50950220001D	50
23	115.00	AK950/23-5.0-GREEN	50950230001D	50
24	120.00	AK950/24-5.0-GREEN	50950240001D	50

Accessories

Figure	Designation	Article Number
	Bridge, 2-pole, insulated, BRI/2-5.0/5.08-LIGHT GREY	50000000006
	Bridge, 3-pole, insulated, BRI/3-5.0/5.08-LIGHT GREY	50000000007
	Bridge, 2-pole, BR/2-5.0/5.08-L7.0	50000000008
	Coding star CS1-5.0/5.08-RED	50000000021
	Serie AK(Z)950 mit Trennelement	on request
	Series AK(Z)950 with pull reliefs	on request

Ratings



Usegroup	B	C	D			
Rated Voltage	300 V	150 V	300 V	250 V		
Rated Current	15 A	15 A	10 A	12 A		
Overvoltage Category				III		
Rated Wire Size					min	max
	solid	AWG 22-12	AWG 22-12	AWG 22-12	0.5 mm ² (5 A)	2.5 mm ² (12 A)
	stranded	AWG 22-12	AWG 22-12	AWG 22-12	0.5 mm ² (5 A)	2.5 mm ² (12 A)
Torque	0.50 Nm		0.50 Nm	0.50 Nm	0.50 Nm	
Screw Size	M3		M3	M3	M3	
Test Voltage	1.6 kV		1.6 kV	1.6 kV	4.0 kV	
Pollution Degree	3					