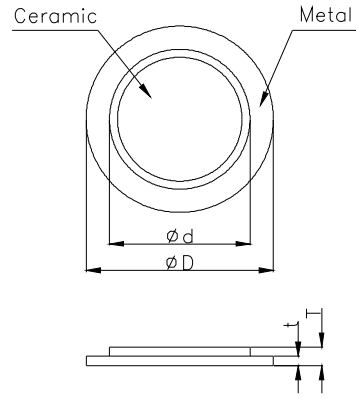


ONE SIDE NO FEEDBACK



MODEL NO.	RESONANT FREQUENCY	RESONANT IMPEDANCE max.	CAPACITY $\pm 30\%$ pF	DIMENSIONS				PLATE MATERIAL
	KHz	Ω		D mm	d mm	T mm	t mm	
MZ-15580B00	5.8	800	10000	15.0	10.0	0.23	0.10	Brass