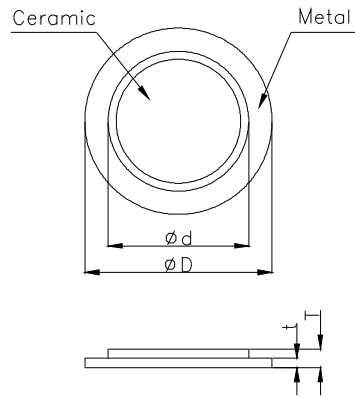


ONE SIDE NO FEEDBACK



MODEL NO.	RESONANT FREQUENCY KHz	RESONANT IMPEDANCE max. Ω	CAPACITY $\pm 30 \square$ pF	DIMENSIONS				PLATE MATERIAL
				D mm	d mm	T mm	t mm	
MZ-12490B00	4.9	1500	17000	12.0	9.0	0.12	0.05	Brass