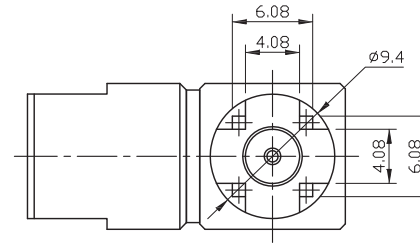
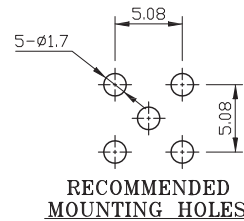
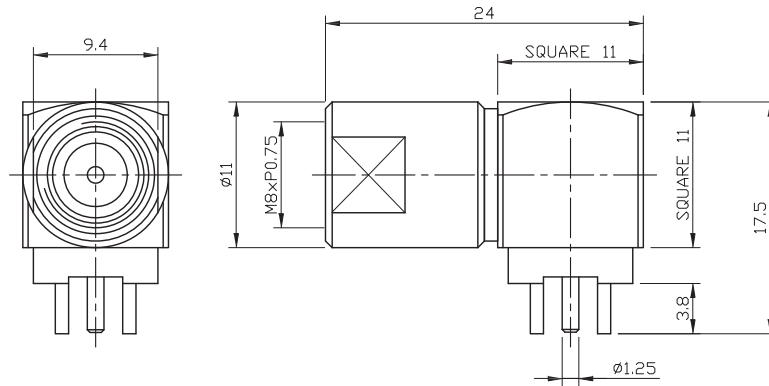


**RoHS COMPLIANT**

REVISIONS

ZONE	REV	DESCRIPTION	DATE	APPROVED
	A	INITIAL DESIGN	2009/07/10	
	B	Correct P/N from C29CN3F07 to C29DN3F07	2010/07/06	



TITLE FME R/A Plug for PCB Mount

05	PIN	BRASS	GOLD	1	
04	INSULATOR B	TEFLON	NONE	1	
03	BODY B	BRASS	NICKEL	1	
02	INSULATOR A	TEFLON	NONE	1	
01	BODY A	BRASS	NICKEL	1	
NO	DESCRIPTION	MATERIAL	FINISH	Q'TY	DRAWN NO.

DWG NO.	CUSTOMER P/N	UNIT mm	REV. B
GENERAL TOLERANCES .X ±0.2 .XX ±0.2 .XXX ±0.2 ANGLES ±3°	SCALE Free	APPROVALS	DATE
(UNLESS OTHERWISE SPECIFIED)	SIZE A4	DRAWN BY: 2010/07/06	
		CHK'D BY: 2010/07/06	
	SHEET 1 of 1	APP'D BY: 2010/07/06	