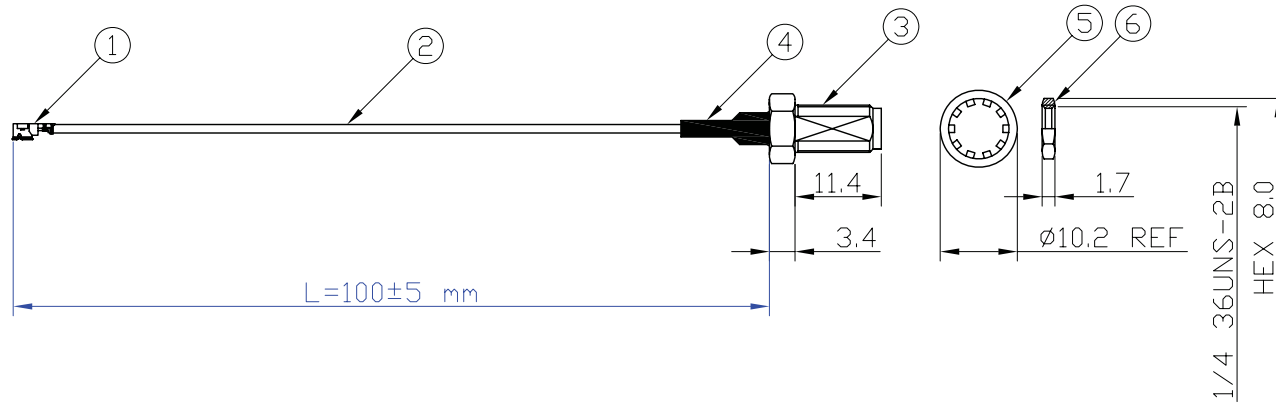


**RoHS COMPLIANT**

REVISIONS

ZONE	REV	DESCRIPTION	DATE	APPROVED
	1	INITIAL DESIGN	2008/11/11	
	2	ADD Cable P/N, Heatshrink P/N	2009/12/23	



Note: The orientation on drawing is for reference only.

TITLE  
**I-PEX MHF + 1.13L100 + SMA bulk Jack**

06	Nut	1	
05	Washer	1	
04	Heatshrink (Black)	1	
03	SMA bulkhead Jack	1	
02	1.13-MIT coaxial cable (Gray)	1	
01	I-PEX MHF Plug	1	
NO	DESCRIPTION	Q'TY	DRAWN NO.

DWG NO.	CUSTOMER P/N	UNIT mm	REV. 2
GENERAL TOLERANCES .X NA .XX NA .XXX NA ANGLES NA		SCALE 1 : 1	APPROVALS
(UNLESS OTHERWISE SPECIFIED)		SIZE A4	DATE 2009/12/23
			CHK'D BY: 2009/12/23
		SHEET 1 of 1	APP'D BY: 2009/12/23