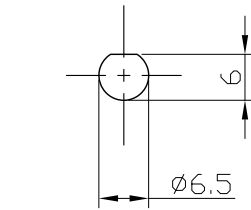
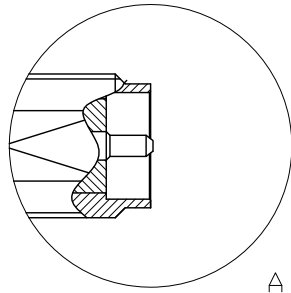
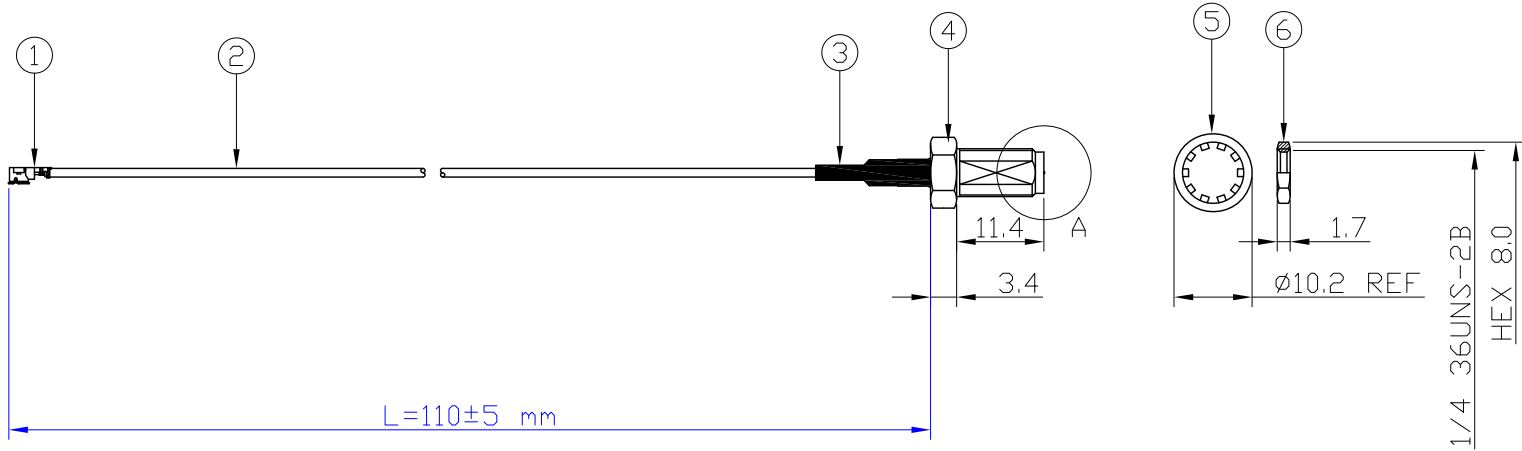


RoHS COMPLIANT



RECOMMENDED
MOUNTING HOLE



Note: The orientation on drawing is for reference only.

06	Nut	1	
05	Washer	1	
04	RP SMA bulkhead Jack	1	
03	Heatshrink (Black)	1	
02	1.13-MIT coaxial cable (Gray)	1	
01	I-PEX MHF Plug	1	
NO	DESCRIPTION	Q'TY	DRAWN NO.

TITLE I-PEX MHF + 1.13L110 + RP SMA ST Bulk Jack			
DWG NO.	CUSTOMER P/N	UNIT mm	REV. 1.00
GENERAL TOLERANCES .X NA .XX NA .XXX NA ANGLES NA		SCALE 1 : 1	APPROVALS
(UNLESS OTHERWISE SPECIFIED)		SIZE A4	DRAWN BY: 2012/02/20
			CHK'D BY: 2012/02/20
		SHEET 1 of 1	APP'D BY: 2012/02/20

REVISIONS			
REV	DESCRIPTION	DATE	APPROVED
1.00	INITIAL DESIGN	2012/02/20	