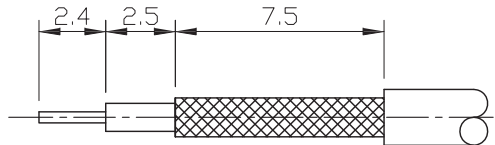
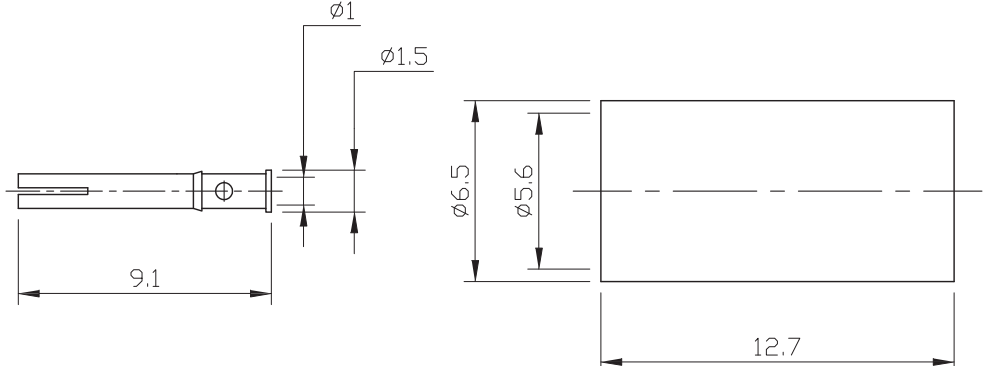
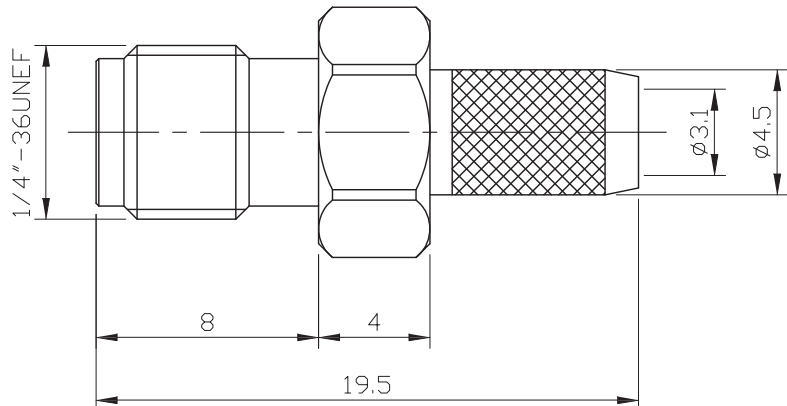
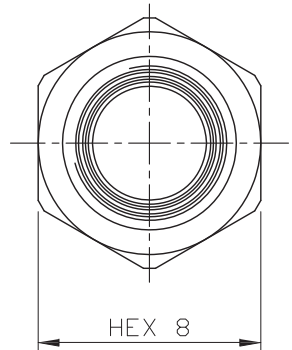


**RoHS COMPLIANT**

REVISIONS			
REV	DESCRIPTION	DATE	APPROVED
1.00	INITIAL DESIGN	2011/09/26	



STRIP LENGTHS



04	FERRULE	BRASS	GOLD	1	
03	PIN	PHOSPHOR BRONZE	GOLD	1	
02	BODY	BRASS	GOLD	1	
01	INSULATOR	TEFLON	NONE	1	
NO	DESCRIPTION	MATERIAL	FINISH	Q'TY	DRAWN NO.

TITLE SMA ST Jack Crimp for RG58 Cable			
DWG NO.	CUSTOMER P/N	UNIT mm	REV. 1.00
GENERAL TOLERANCES .X ±0.2 .XX ±0.2 .XXX ±0.2 ANGLES ±3°		SCALE 1 : 1	APPROVALS
(UNLESS OTHERWISE SPECIFIED)		SIZE A4	DATE 2011/09/26
			CHK'D BY: 2011/09/26
		SHEET 1 of 1	APP'D BY: 2011/09/26