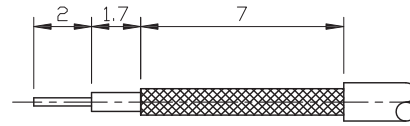
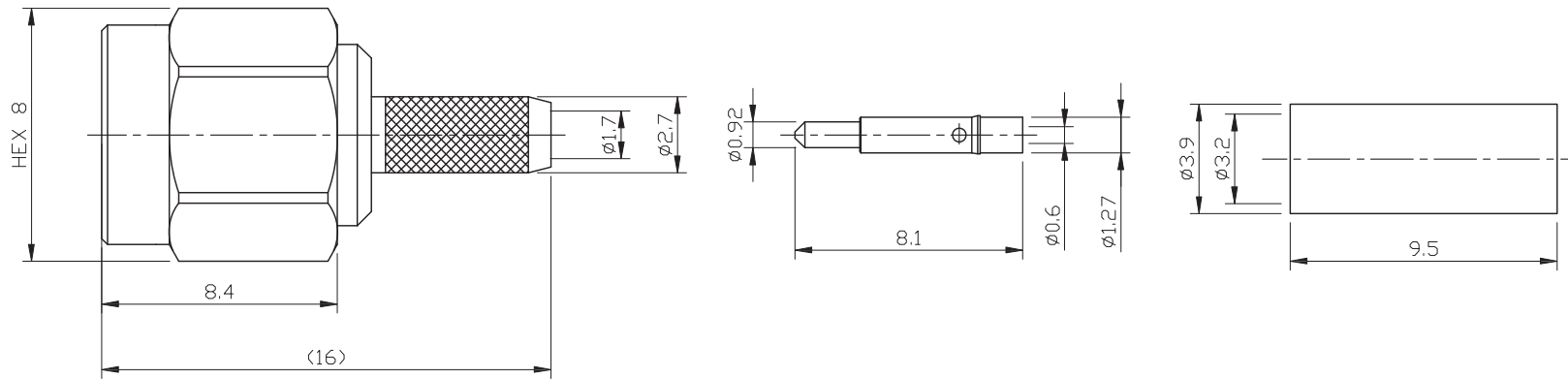


RoHS COMPLIANT

REVISIONS			
REV	DESCRIPTION	DATE	APPROVED
1.00	INITIAL DESIGN	2011/07/29	



RECOMMENDED STRIP LENGTHS



NO	DESCRIPTION	MATERIAL	FINISH	Q'TY	DRAWN NO.
07	FERRULE	BRASS	GOLD	1	
06	CENTER PIN	BRASS	GOLD	1	
05	BODY	BRASS	GOLD	1	
04	INSULATOR	TEFLON	NONE	1	
03	INNER RETAINING RING	STAINLESS	NONE	1	
02	GASKET	SILICONE	RED	1	
01	SHELL	BRASS	GOLD	1	

TITLE SMA Straight Plug Crimp for RG316 Cable				
DWG NO.		CUSTOMER P/N	UNIT mm	REV. 1.00
GENERAL TOLERANCES .X 0.1 .XX 0.1 .XXX 0.1 ANGLES NA		SCALE Free	APPROVALS	DATE
(UNLESS OTHERWISE SPECIFIED)		SIZE A4	DRAWN BY: 2011/07/29	
			CHK'D BY: 2011/07/29	
		SHEET 1 of 1	APP'D BY: 2011/07/29	