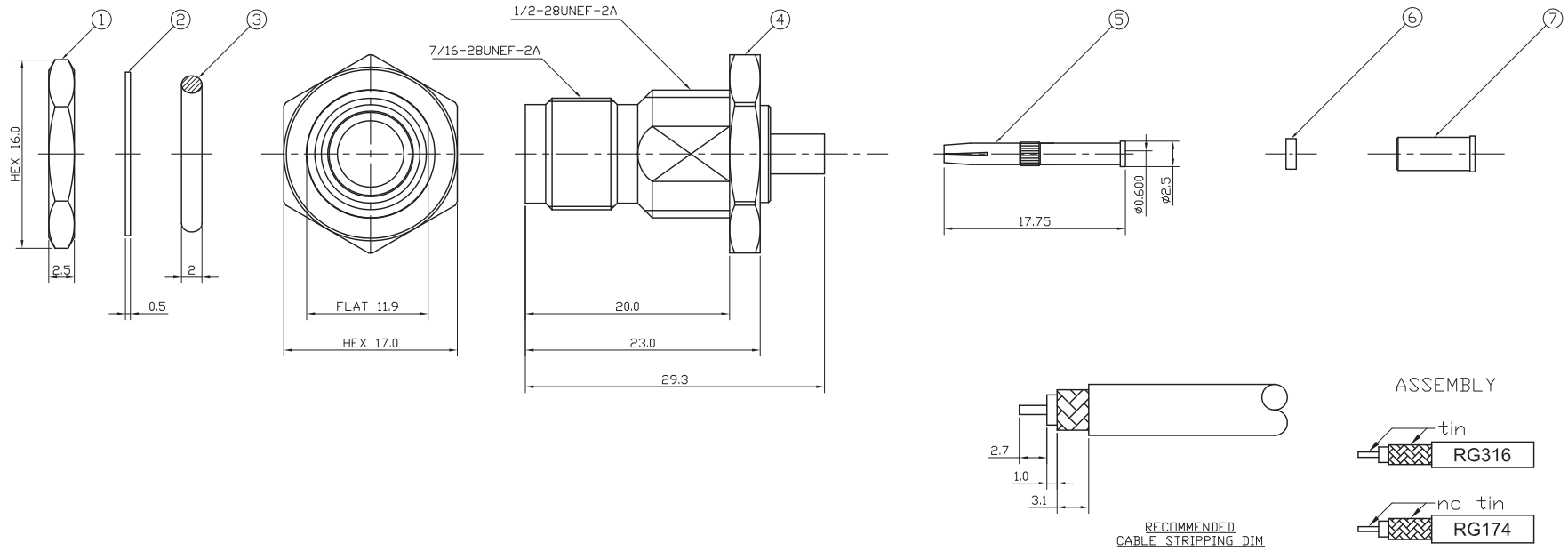


**RoHS COMPLIANT**

REVISIONS				
ZONE	REV	DESCRIPTION	DATE	APPROVED
	A	INITIAL DESIGN	2008/04/17	



NO	DESCRIPTION	MATERIAL	FINISH	Q'TY	DRAWN NO.
07	SLEEVE	BRASS	NICKEL	1	
06	INSULATOR	TEFLON	NONE	1	
05	PIN	PHOS BRONZE	GOLD	1	
04	BODY	BRASS	NICKEL	1	
03	GASKET	SILICONE	NONE	1	
02	WASHER	STAINLESS STEEL	NICKEL	1	
01	NUT	BRASS	NICKEL	1	

TITLE TNC Straight bulkhead Jack with O-ring Crimp for RG316, RG174 Cable				
DWG NO.		CUSTOMER P/N	UNIT mm	REV. A
GENERAL TOLERANCES		SCALE 1.5 : 1	APPROVALS	DATE
.X	NA	SIZE A4	DRAWN BY:	2008/04/17
.XX	NA		CHK'D BY:	2008/04/17
.XXX	NA		APP'D BY:	2008/04/17
ANGLES	NA	SHEET 1 of 1		