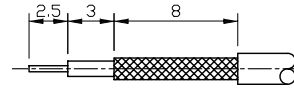
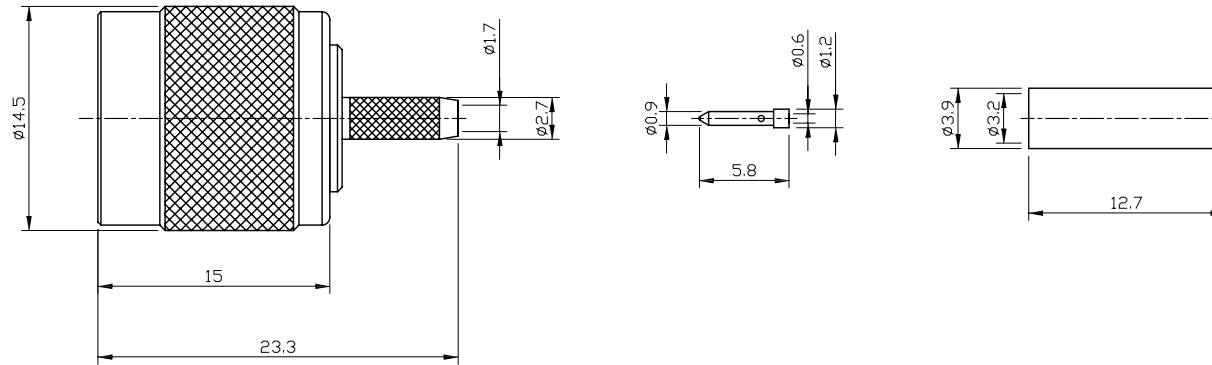


RoHS COMPLIANT



RECOMMENDED STRIP LENGTHS

REVISIONS				
ZONE	REV	DESCRIPTION	DATE	APPROVED
	A	INITIAL DESIGN	2009/11/17	



10	FERRULE	BRASS	NICKEL	1	
09	BULLET CONTACT	BRASS	GOLD	1	
08	BODY	BRASS	NICKEL	1	
07	CENTER CONTACT	BERYLLIUM COPPER	GOLD	1	
06	WASHER	BRASS	NICKEL	1	
05	INNER RETAINING RING	SK-5	NONE	1	
04	GASKET	SILICONE	NONE	1	
03	PIN	BRASS	GOLD	1	
02	INSULATOR	TEFLON	NONE	1	
01	SHELL	BRASS	NICKEL	1	
NO	DESCRIPTION	MATERIAL	FINISH	Q'TY	DRAWN NO.

TITLE					TNC Straight Plug Crimp for RG174 Cable				
DWG NO.			CUSTOMER P/N		UNIT		REV.		
					mm		A		
GENERAL TOLERANCES			SCALE		APPROVALS		DATE		
.X ±0.2			Free						
.XX ±0.2			A4		DRAWN BY:		2009/11/17		
.XXX ±0.2					CHK'D BY:		2009/11/17		
ANGLES 33°			SHEET		APP'D BY:		2009/11/17		
(UNLESS OTHERWISE SPECIFIED)			1 of 1						