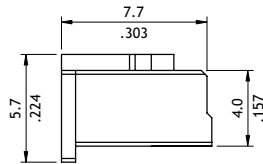
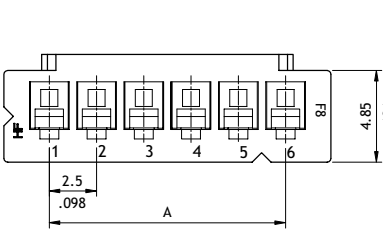
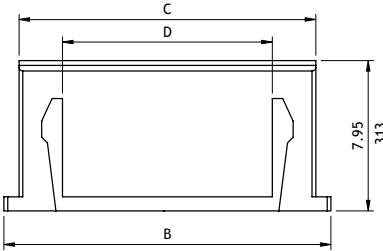
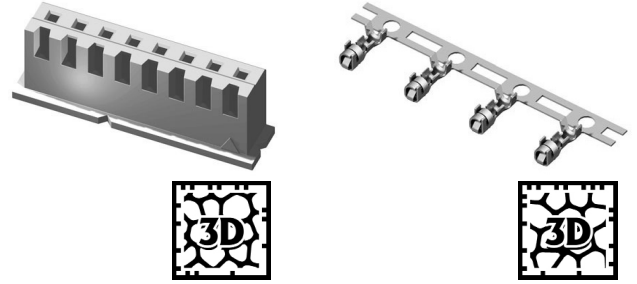
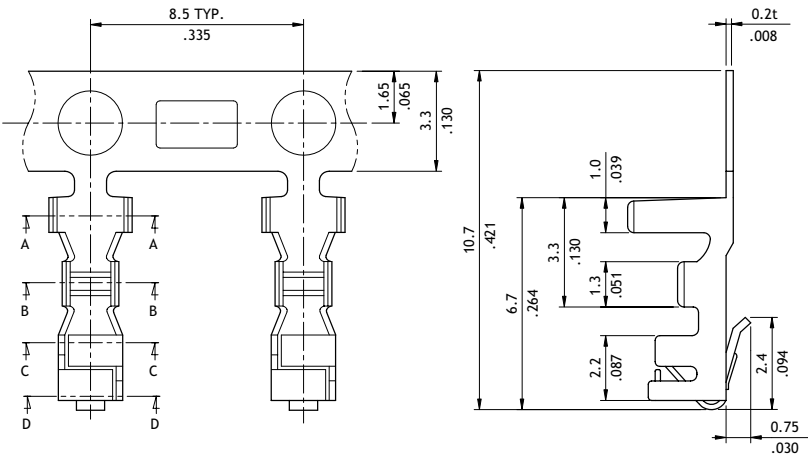


CI22 Series 2.50mm(.098") Wire to Board Connectors Housing & Terminal

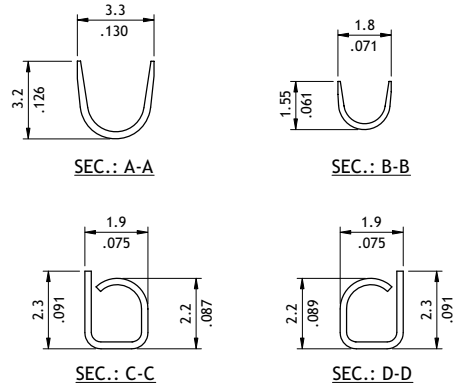
- Low profile with locking ribs
- Mate with CI22 Header
- Can be used CI22 crimp clip terminal
- Insulator: Nylon 66 UL 94V-0, Color Nature
- Terminal: Tin plated Brass or Phosphor Bronze



| Circuits | Dimension | | | |
|----------|-------------|-------------|-------------|-------------|
| | A | B | C | D |
| 2 | 2.5(.098) | 7.3(.287) | 5.7(.224) | 1.0(.039) |
| 3 | 5.0(.197) | 9.8(.386) | 8.2(.323) | 3.5(.138) |
| 4 | 7.5(.295) | 12.3(.484) | 10.7(.421) | 6.0(.236) |
| 5 | 10.0(.394) | 14.8(.583) | 13.2(.520) | 8.5(.335) |
| 6 | 12.5(.492) | 17.3(.681) | 15.7(.618) | 11.0(.433) |
| 7 | 15.0(.591) | 19.8(.780) | 18.2(.717) | 13.5(.531) |
| 8 | 17.5(.689) | 22.3(.878) | 20.7(.815) | 16.0(.630) |
| 9 | 20.0(.787) | 24.8(.976) | 23.2(.913) | 18.5(.728) |
| 10 | 22.5(.886) | 27.3(1.075) | 25.7(1.012) | 21.0(.827) |
| 11 | 25.0(.984) | 29.8(1.173) | 28.2(1.110) | 23.5(.925) |
| 12 | 27.5(1.083) | 32.3(1.272) | 30.7(1.209) | 26.0(1.024) |
| 13 | 30.0(1.181) | 34.8(1.370) | 33.2(1.307) | 28.5(1.122) |
| 14 | 32.5(1.280) | 37.3(1.469) | 35.7(1.406) | 31.0(1.220) |
| 15 | 35.0(1.378) | 39.8(1.567) | 38.2(1.504) | 33.5(1.319) |



| Wire Range | Insulation Diameter | Reel Qty |
|-------------|---------------------|------------|
| AWG #22-#28 | 1.60 (.063) MAX. | 6,000 PCS. |



Ordering Code

1 CI22 **2** 15 **3** S **4** 0000

- ① Series No.
- ② No. of Circuits: 02 to 15
- ③ S = Housing
- ④ Other Options:
0000 = Standard
*Special options consult manufacturer

1 CI22 **2** T02 **3** 1 **4** P **5** E **6** 0

- ① Series No.
- ② Type: T02 = AWG #22 ~ #28
- ③ Plating Code: 1 = Tin over Nickel
- ④ Material: P = Phosphor Bronze
B = Brass
- ⑤ Plating Method: E = Pre-tinned
- ⑥ Other Options: 0 = Standard