

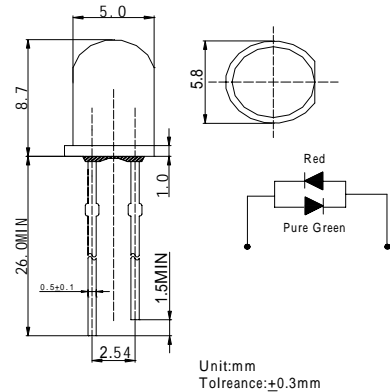
■Features

- High Luminous Output
- 5mm Standard Directivity
- Superior Weather-resistance
- Water Clear Type
- RoHS Compliant

■Applications

- Toys
- Games
- Audio

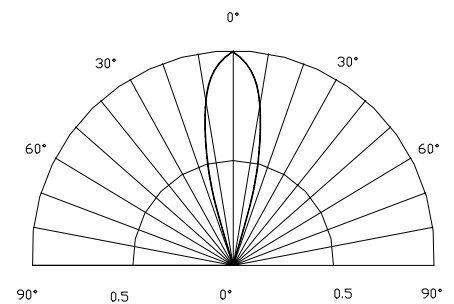
■Outline Dimension



■Absolute Maximum Rating (Ta=25 °C)

Item	Symbol	Value		Unit
		Red	Green	
DC Forward Current	I_F	30	30	mA
Pulse Forward Current*	I_{FP}	100	100	mA
Reverse Voltage	V_R	5	5	V
Power Dissipation	P_D	72	120	mW
Operating Temperature	T_{opr}	-30 ~ +85		
Storage Temperature	T_{stg}	-40 ~ +100		
Lead Soldering Temperature	T_{sol}	260 / 5sec		-

■Directivity



*Pulse width Max.10ms Duty ratio max 1/10

■Electrical -Optical Characteristics (Ta=25 °C)

Item	Symbol	Condition	Min.	Typ.	Max.	Unit
DC Forward Voltage	V_F (Red)	$I_F=20mA$	1.8	2.0	2.4	V
	V_F (Green)	$I_F=20mA$	2.8	3.3	3.8	V
DC Reverse Current	I_R	$V_R=5V$	-	-	10	μA
Domi. Wavelength	λ_D (Red)	$I_F=20mA$	620	625	630	nm
	λ_D (Green)	$I_F=20mA$	520	525	530	nm
Luminous Intensity	I_V (Red)	$I_F=20mA$	3000	4200	5800	mcd
	I_V (Green)	$I_F=20mA$	4200	5800	7000	mcd
50% Power Angle	$2\theta_{1/2}$	$I_F=20mA$	-	30	-	deg